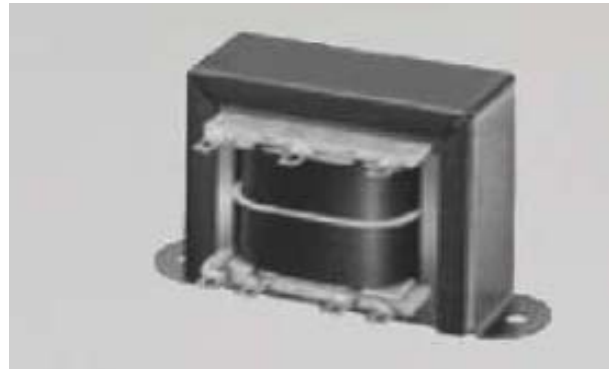


RP98 Series

Chassis Mount Power Transformer

**RP98
UPTO 100VA
CHASSIS MOUNT
POWER TRANSFORMER**

ROHS COMPLIANT



Specifications

Power: 2.4VA to 100VA

Dielectric Strength: 2500VRMS Hi-pot

Primaries: Single or Dual primary (115/230V- 50/60 Hz)

Max. Operating Temp.: 155°C

Safety Approvals: 1UL 506, CSA C 22.2 No. 66

Part Number / Ordering

Part Number		Secondary Voltage
Single 115V Primary	Dual 115/230V Primary	
RP98-06-3-010	-	10VCT @ 0.25A
RP98-06-4-010	RP98-07-4-010	10VCT @ 0.6A
RP98-06-5-010	RP98-07-5-010	10VCT @ 1.2A
RP98-06-6-010	RP98-07-6-010	10VCT @ 3A
RP98-06-7-010	RP98-07-7-010	10VCT @ 5A
RP98-06-8-010	RP98-07-8-010	10VCT @ 10A
RP98-06-3-012	-	12.6VCT @ 0.2A
RP98-06-4-012	RP98-07-4-012	12.6VCT @ 0.5A
RP98-06-5-012	RP98-07-5-012	12.6VCT @ 1A
RP98-06-6-012	RP98-07-6-012	12.6VCT @ 2.5A
RP98-06-7-012	RP98-07-7-012	12.6VCT @ 4A
RP98-06-8-012	RP98-07-8-012	12.6VCT @ 8A
RP98-06-3-016	-	16VCT @ 0.15A
RP98-06-4-016	RP98-07-4-016	16VCT @ 0.4A
RP98-06-5-016	RP98-07-5-016	16VCT @ 0.8A
RP98-06-6-016	RP98-07-6-016	16VCT @ 2A
RP98-06-7-016	RP98-07-7-016	16VCT @ 3.5A
RP98-06-8-016	RP98-07-8-016	16VCT @ 6.25A
RP98-06-3-020	-	20VCT @ 0.12A
RP98-06-4-020	RP98-07-4-020	20VCT @ 0.3A
RP98-06-5-020	RP98-07-5-020	20VCT @ 0.6A
RP98-06-6-020	RP98-07-6-020	20VCT @ 1.5A
RP98-06-7-020	RP98-07-7-020	20VCT @ 2.8A
RP98-06-8-020	RP98-07-8-020	20VCT @ 5A
RP98-06-3-024	-	24VCT @ 0.1A
RP98-06-4-024	RP98-07-4-024	24VCT @ 0.25A
RP98-06-5-024	RP98-07-5-024	24VCT @ 0.5A
RP98-06-6-024	RP98-07-6-024	24VCT @ 1.25A
RP98-06-7-024	RP98-07-7-024	24VCT @ 2.4A
RP98-06-8-024	RP98-07-8-024	24VCT @ 4A

Part Number		Secondary Voltage
Single 115V Primary	Dual 115/230V Primary	
RP98-06-3-028	-	28VCT @ 0.085A
RP98-06-4-028	RP98-07-4-028	28VCT @ 0.2A
RP98-06-5-028	RP98-07-5-028	28VCT @ 0.42A
RP98-06-6-028	RP98-07-6-028	28VCT @ 1.1A
RP98-06-7-028	RP98-07-7-028	28VCT @ 2A
RP98-06-8-028	RP98-07-8-028	28VCT @ 3.6A
RP98-06-3-036	-	36VCT @ 0.065A
RP98-06-4-036	RP98-07-4-036	36VCT @ 0.17A
RP98-06-5-036	RP98-07-5-036	36VCT @ 0.35A
RP98-06-6-036	RP98-07-6-036	36VCT @ 0.85A
RP98-06-7-036	RP98-07-7-036	36VCT @ 1.5A
RP98-06-8-036	RP98-07-8-036	36VCT @ 2.8A
RP98-06-3-048	-	48VCT @ 0.05A
RP98-06-4-048	RP98-07-4-048	48VCT @ 0.125A
RP98-06-5-048	RP98-07-5-048	48VCT @ 0.25A
RP98-06-6-048	RP98-07-6-048	48VCT @ 0.63A
RP98-06-7-048	RP98-07-7-048	48VCT @ 1.2A
RP98-06-8-048	RP98-07-8-048	48VCT @ 2A
RP98-06-3-056	-	56VCT @ 0.045A
RP98-06-4-056	RP98-07-4-056	56VCT @ 0.11A
RP98-06-5-056	RP98-07-5-056	56VCT @ 0.22A
RP98-06-6-056	RP98-07-6-056	56VCT @ 0.54A
RP98-06-7-056	RP98-07-7-056	56VCT @ 1A
RP98-06-8-056	RP98-07-8-056	56VCT @ 1.8A
RP98-06-3-120	-	120VCT @ 0.02A
RP98-06-4-120	RP98-07-4-120	120VCT @ 0.05A
RP98-06-5-120	RP98-07-5-120	120VCT @ 0.1A
RP98-06-6-120	RP98-07-6-120	120VCT @ 0.25A
RP98-06-7-120	RP98-07-7-120	120VCT @ 0.5A
RP98-06-8-120	RP98-07-8-120	120VCT @ 0.8A

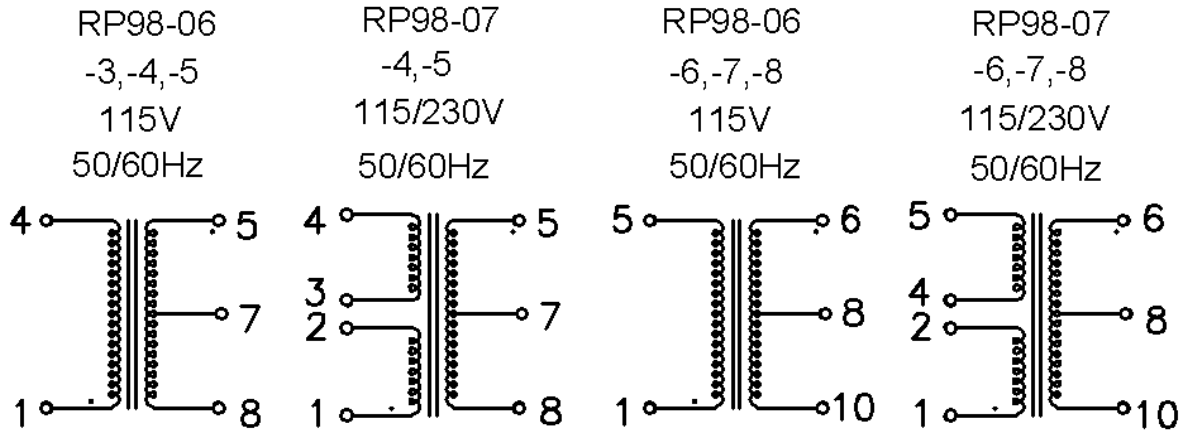
Dimensions shown for reference only.
Specifications subject to change.

RADIUS POWER
Standard & Custom Products

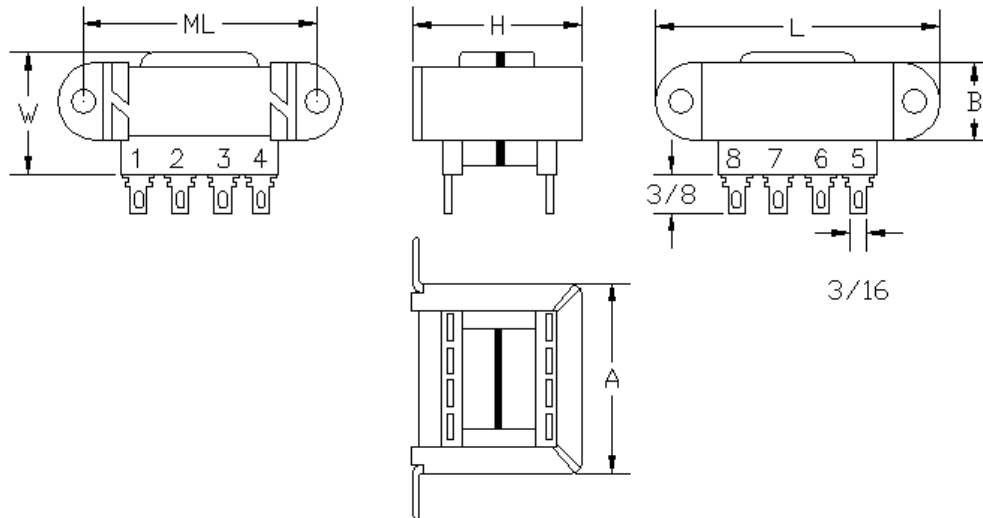
www.radiuspower.com
PH 714-289-0055
FAX 714-289-214

RP98 Series Chassis Mount Power Transformer

Schematic



Mechanicals



Size	VA	Dimensions (Inches)						Weight (Lbs.)
		L	W	H	A	B	ML	
3	2.4	2-1/16	1-1/16	1-3/16	1-7/16	9/16	1-3/4	0.25
4	6	2-3/8	1-1/4	1-3/8	1-11/16	11/16	2	0.44
5	12	2-13/16	1-3/8	1-5/8	1-15/16	13/16	2-3/8	0.7
6	30	3-1/4	1-11/16	1-15/16	2-5/16	1-1/16	2-13/16	1.1
7	56	3-11/16	1-13/16	2-1/4	2-11/16	1-1/16	3-1/8	1.7
8	100	4-1/32	2-1/4	2-9/16	3-1/16	1-5/16	3-9/16	2.75

Dimensions shown for reference only.
Specifications subject to change.

RADIUS POWER
Standard & Custom Products

www.radiuspower.com
PH 714-289-0055
FAX 714-289-214