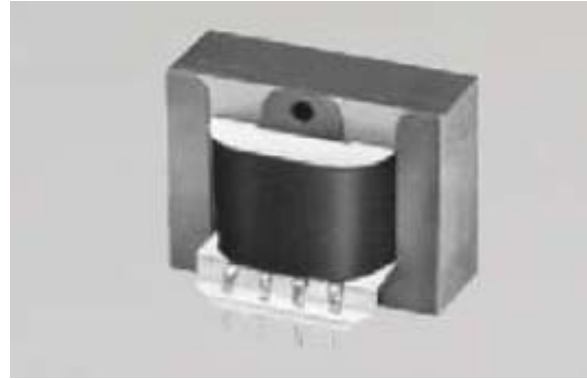


RP97 Series

Vertical PCB Mount Transformer

RP97 UPTO 24VA PCB TRANSFORMER

ROHS COMPLIANT



Specifications

Power: 1.0VA to 24VA

Dielectric Strength: 1500VRMS Hi-pot

Primaries: Single or Dual primaries (115/230V-50/60Hz)

Secondaries: Series or Parallel

Max. Operating Temp.: 155°C

Safety Approvals: 1UL 506, CSA C 22.2 No. 66

Part Number / Ordering

Part Number		Secondary Voltage	
Single 115V Primary	Dual 115/230V Primary	Series Connection	Parallel Connection
RP97-03S-1-010 RP97-03S-2-010 RP97-03S-3-010 RP97-03S-4-010 RP97-03S-5-010	RP97-04S-1-010 RP97-04S-2-010 RP97-04S-3-010 RP97-04S-4-010 RP97-04S-5-010	10VCT @ 0.09A 10VCT @ 0.12A 10VCT @ 0.44A 10VCT @ 1A 10VCT @ 2.4A	5V @ 0.18A 5V @ 0.24A 5V @ 0.88A 5V @ 2A 5V @ 4.8A
RP97-03S-1-012 RP97-03S-2-012 RP97-03S-3-012 RP97-03S-4-012 RP97-03S-5-012	RP97-04S-1-012 RP97-04S-2-012 RP97-04S-3-012 RP97-04S-4-012 RP97-04S-5-012	12.6VCT @ 0.07A 12.6VCT @ 0.1A 12.6VCT @ 0.35A 12.6VCT @ 0.8A 12.6VCT @ 2A	6.3V @ 0.14A 6.3V @ 0.2A 6.3V @ 0.7A 6.3V @ 1.6A 6.3V @ 4A
RP97-03S-1-016 RP97-03S-2-016 RP97-03S-3-016 RP97-03S-4-016 RP97-03S-5-016	RP97-04S-1-016 RP97-04S-2-016 RP97-04S-3-016 RP97-04S-4-016 RP97-04S-5-016	16VCT @ 0.055A 16VCT @ 0.075A 16VCT @ 0.26A 16VCT @ 0.64A 16VCT @ 1.5A	8V @ 0.11A 8V @ 0.15A 8V @ 0.52A 8V @ 1.28A 8V @ 3A
RP97-03S-1-020 RP97-03S-2-020 RP97-03S-3-020 RP97-03S-4-020 RP97-03S-5-020	RP97-04S-1-020 RP97-04S-2-020 RP97-04S-3-020 RP97-04S-4-020 RP97-04S-5-020	20VCT @ 0.045A 20VCT @ 0.06A 20VCT @ 0.22A 20VCT @ 0.5A 20VCT @ 1.2A	10V @ 0.09A 10V @ 0.12A 10V @ 0.44A 10V @ 1A 10V @ 2.4A
RP97-03S-1-024 RP97-03S-2-024 RP97-03S-3-024 RP97-03S-4-024 RP97-03S-5-024	RP97-04S-1-024 RP97-04S-2-024 RP97-04S-3-024 RP97-04S-4-024 RP97-04S-5-024	24VCT @ 0.035A 24VCT @ 0.05A 24VCT @ 0.18A 24VCT @ 0.45A 24VCT @ 1A	12V @ 0.07A 12V @ 0.1A 12V @ 0.36A 12V @ 0.9A 12V @ 2A
RP97-03S-1-028 RP97-03S-2-028 RP97-03S-3-028 RP97-03S-4-028 RP97-03S-5-028	RP97-04S-1-028 RP97-04S-2-028 RP97-04S-3-028 RP97-04S-4-028 RP97-04S-5-028	28VCT @ 0.03A 28VCT @ 0.04A 28VCT @ 0.16A 28VCT @ 0.36A 28VCT @ 0.8A	14V @ 0.06A 14V @ 0.08A 14V @ 0.32A 14V @ 0.72A 14V @ 1.6A

Note: Replace "S" by "P" in the Part No. for Parallel Connection.

Part Number		Secondary RMS Rating	
Single 115V Primary	Dual 115/230V Primary	Series Connection	Parallel Connection
RP97-03S-1-034 RP97-03S-2-034 RP97-03S-3-034 RP97-03S-4-034 RP97-03S-5-034	RP97-04S-1-034 RP97-04S-2-034 RP97-04S-3-034 RP97-04S-4-034 RP97-04S-5-034	34VCT @ 0.025A 34VCT @ 0.035A 34VCT @ 0.125A 34VCT @ 0.3A 34VCT @ 0.7A	17V @ 0.07A 17V @ 0.25A 17V @ 0.6A 17V @ 1.4A
RP97-03S-1-040 RP97-03S-2-040 RP97-03S-3-040 RP97-03S-4-040 RP97-03S-5-040	RP97-04S-1-040 RP97-04S-2-040 RP97-04S-3-040 RP97-04S-4-040 RP97-04S-5-040	40VCT @ 0.02A 40VCT @ 0.03A 40VCT @ 0.11A 40VCT @ 0.25A 40VCT @ 0.6A	20V @ 0.04A 20V @ 0.06A 20V @ 0.22A 20V @ 0.5A 20V @ 1.2A
RP97-03S-1-056 RP97-03S-2-056 RP97-03S-3-056 RP97-03S-4-056 RP97-03S-5-056	RP97-04S-1-056 RP97-04S-2-056 RP97-04S-3-056 RP97-04S-4-056 RP97-04S-5-056	56VCT @ 0.015A 56VCT @ 0.02A 56VCT @ 0.08A 56VCT @ 0.18A 56VCT @ 0.42A	28V @ 0.03A 28V @ 0.04A 28V @ 0.16A 28V @ 0.36A 28V @ 0.84A
RP97-03S-1-88 RP97-03S-2-88 RP97-03S-3-88 RP97-03S-4-88 RP97-03S-5-88	RP97-04S-1-88 RP97-04S-2-88 RP97-04S-3-88 RP97-04S-4-88 RP97-04S-5-88	88VCT @ 0.01A 88VCT @ 0.015A 88VCT @ 0.05A 88VCT @ 0.12A 88VCT @ 0.27A	44V @ 0.02A 44V @ 0.03A 44V @ 0.1A 44V @ 0.24A 44V @ 0.54A
RP97-03S-1-120 RP97-03S-2-120 RP97-03S-3-120 RP97-03S-4-120 RP97-03S-5-120	RP97-04S-1-120 RP97-04S-2-120 RP97-04S-3-120 RP97-04S-4-120 RP97-04S-5-120	120VCT @ 0.008A 120VCT @ 0.01A 120VCT @ 0.035A 120VCT @ 0.085A 120VCT @ 0.2A	60V @ 0.016A 60V @ 0.02A 60V @ 0.07A 60V @ 0.17A 60V @ 0.4A
RP97-03S-1-180 RP97-03S-2-180 RP97-03S-3-180 RP97-03S-4-180 RP97-03S-5-180	RP97-04S-1-180 RP97-04S-2-180 RP97-04S-3-180 RP97-04S-4-180 RP97-04S-5-180	- 180VCT @ 0.006A 180VCT @ 0.024A 180VCT @ 0.055A 180VCT @ 0.13A	- 90V @ 0.012A 90V @ 0.048A 90V @ 0.11A 90V @ 0.26A
RP97-03S-1-230 RP97-03S-2-230 RP97-03S-3-230 RP97-03S-4-230 RP97-03S-5-230	RP97-04S-1-230 RP97-04S-2-230 RP97-04S-3-230 RP97-04S-4-230 RP97-04S-5-230	- 230VCT @ 0.005A 230VCT @ 0.02A 230VCT @ 0.04A 230VCT @ 0.1A	- 115V @ 0.01A 115V @ 0.04A 115V @ 0.08A 115V @ 0.2A

Dimensions shown for reference only.
Specifications subject to change.

RADIUS POWER
Standard & Custom Products

www.radiuspower.com
PH 714-289-0055
FAX 714-289-214

