

RP96 Series

Horizontal PCB Mount Transformer

**RP96
UPTO 36VA
HORIZONTAL PCB TRANSFORMER**



Specifications

ROHS COMPLIANT

Power: 1.1VA to 36VA
Dielectric Strength: 2500VRMS Hi-pot
Primaries: Single or Dual primaries (115/230V-50/60Hz)
Secondaries: Series or Parallel
Max. Operating Temp.: 155°C
Safety Approvals: UL 506, CSA C 22.2 No. 66

Part Number / Ordering

Part Number		Secondary Voltage	
Single 115V Primary	Dual 115/230V Primary	Series Connection	Parallel Connection
RP96-1S-2-010	RP96-2S-2-010	10VCT @ 0.11A	5V @ 0.22A
RP96-1S-3-010	RP96-2S-3-010	10VCT @ 0.25A	5V @ 0.5A
RP96-1S-4-010	RP96-2S-4-010	10VCT @ 0.6A	5V @ 1.2A
RP96-1S-5-010	RP96-2S-5-010	10VCT @ 1.2A	5V @ 2.4A
RP96-1S-6-010	RP96-2S-6-010	10VCT @ 2.0A	5V @ 4.0A
RP96-1S-7-010	RP96-2S-7-010	10VCT @ 3.6A	5V @ 7.2A
RP96-1S-2-012	RP96-2S-2-012	12.6VCT @ 0.09A	6.3V @ 0.18A
RP96-1S-3-012	RP96-2S-3-012	12.6VCT @ 0.2A	6.3V @ 0.4A
RP96-1S-4-012	RP96-2S-4-012	12.6VCT @ 0.5A	6.3V @ 1.0A
RP96-1S-5-012	RP96-2S-5-012	12.6VCT @ 1.0A	6.3V @ 2.0A
RP96-1S-6-012	RP96-2S-6-012	12.6VCT @ 1.6A	6.3V @ 3.2A
RP96-1S-7-012	RP96-2S-7-012	12.6VCT @ 2.85A	6.3V @ 5.7A
RP96-1S-2-016	RP96-2S-2-016	16VCT @ 0.07A	8V @ 0.14A
RP96-1S-3-016	RP96-2S-3-016	16VCT @ 0.15A	8V @ 0.3A
RP96-1S-4-016	RP96-2S-4-016	16VCT @ 0.4A	8V @ 0.8A
RP96-1S-5-016	RP96-2S-5-016	16VCT @ 0.8A	8V @ 1.6A
RP96-1S-6-016	RP96-2S-6-016	16VCT @ 1.25A	8V @ 2.5A
RP96-1S-7-016	RP96-2S-7-016	16VCT @ 2.25A	8V @ 4.5A
RP96-1S-2-020	RP96-2S-2-020	20VCT @ 0.055A	10V @ 0.11A
RP96-1S-3-020	RP96-2S-3-020	20VCT @ 0.12A	10V @ 0.24A
RP96-1S-4-020	RP96-2S-4-020	20VCT @ 0.3A	10V @ 0.6A
RP96-1S-5-020	RP96-2S-5-020	20VCT @ 0.6A	10V @ 1.2A
RP96-1S-6-020	RP96-2S-6-020	20VCT @ 1.0A	10V @ 2.0A
RP96-1S-7-020	RP96-2S-7-020	20VCT @ 1.8A	10V @ 3.6A
RP96-1S-2-024	RP96-2S-2-024	24VCT @ 0.045A	12V @ 0.09A
RP96-1S-3-024	RP96-2S-3-024	24VCT @ 0.1A	12V @ 0.2A
RP96-1S-4-024	RP96-2S-4-024	24VCT @ 0.25A	12V @ 0.5A
RP96-1S-5-024	RP96-2S-5-024	24VCT @ 0.5A	12V @ 1.0A
RP96-1S-6-024	RP96-2S-6-024	24VCT @ 0.8A	12V @ 1.6A
RP96-1S-7-024	RP96-1S-7-024	24VCT @ 1.5A	12V @ 3.0A

Part Number		Secondary Voltage	
Single 115V Primary	Dual 115/230V Primary	Series Connection	Parallel Connection
RP96-1S-2-028	RP96-2S-2-028	28VCT @ 0.04A	14V @ 0.08A
RP96-1S-3-028	RP96-2S-3-028	28VCT @ 0.085A	14V @ 0.17A
RP96-1S-4-028	RP96-2S-4-028	28VCT @ 0.2A	14V @ 0.4A
RP96-1S-5-028	RP96-2S-5-028	28VCT @ 0.42A	14V @ 0.84A
RP96-1S-6-028	RP96-2S-6-028	28VCT @ 0.7A	14V @ 1.4A
RP96-1S-7-028	RP96-2S-7-028	28VCT @ 1.3A	14V @ 2.6A
RP96-1S-2-036	RP96-2S-2-036	36VCT @ 0.03A	18V @ 0.06A
RP96-1S-3-036	RP96-2S-3-036	36VCT @ 0.065A	18V @ 0.13A
RP96-1S-4-036	RP96-2S-4-036	36VCT @ 0.17A	18V @ 0.34A
RP96-1S-5-036	RP96-2S-5-036	36VCT @ 0.35A	18V @ 0.7A
RP96-1S-6-036	RP96-2S-6-036	36VCT @ 0.55A	18V @ 1.1A
RP96-1S-7-036	RP96-2S-7-036	36VCT @ 1.0A	18V @ 2.0A
RP96-1S-2-048	RP96-2S-2-048	48VCT @ 0.023A	24V @ 0.046A
RP96-1S-3-048	RP96-2S-3-048	48VCT @ 0.05A	24V @ 0.1A
RP96-1S-4-048	RP96-2S-4-048	48VCT @ 0.125A	24V @ 0.25A
RP96-1S-5-048	RP96-2S-5-048	48VCT @ 0.25A	24V @ 0.5A
RP96-1S-6-048	RP96-2S-6-048	48VCT @ 0.4A	24V @ 0.8A
RP96-1S-7-048	RP96-2S-7-048	48VCT @ 0.75A	24V @ 1.5A
RP96-1S-2-056	RP96-2S-2-056	56VCT @ 0.02A	28V @ 0.04A
RP96-1S-3-056	RP96-2S-3-056	56VCT @ 0.045A	28V @ 0.09A
RP96-1S-4-056	RP96-2S-4-056	56VCT @ 0.11A	28V @ 0.22A
RP96-1S-5-056	RP96-2S-5-056	56VCT @ 0.22A	28V @ 0.44A
RP96-1S-6-056	RP96-2S-6-056	56VCT @ 0.35A	28V @ 0.7A
RP96-1S-7-056	RP96-2S-7-056	56VCT @ 0.65A	28V @ 1.3A
RP96-1S-2-120	RP96-2S-2-120	120VCT @ 0.01A	60V @ 0.02A
RP96-1S-3-120	RP96-2S-3-120	120VCT @ 0.02A	60V @ 0.04A
RP96-1S-4-120	RP96-2S-4-120	120VCT @ 0.05A	60V @ 0.1A
RP96-1S-5-120	RP96-2S-5-120	120VCT @ 0.1A	60V @ 0.2A
RP96-1S-6-120	RP96-2S-6-120	120VCT @ 0.16A	60V @ 0.32A
RP96-1S-7-120	RP96-2S-7-120	120VCT @ 0.3A	60V @ 0.6A

Note: Replace "S" by "P" in the Part No. for Parallel Connection.

Dimensions shown for reference only.
 Specifications subject to change.

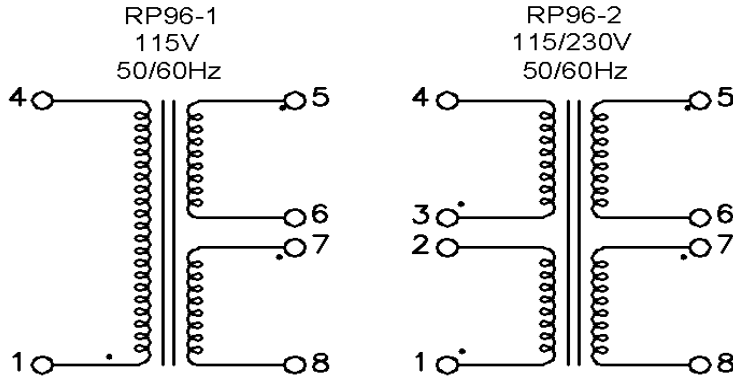
RADIUS POWER
 Standard & Custom Products

www.radiuspower.com
 PH 714-289-0055
 FAX 714-289-214

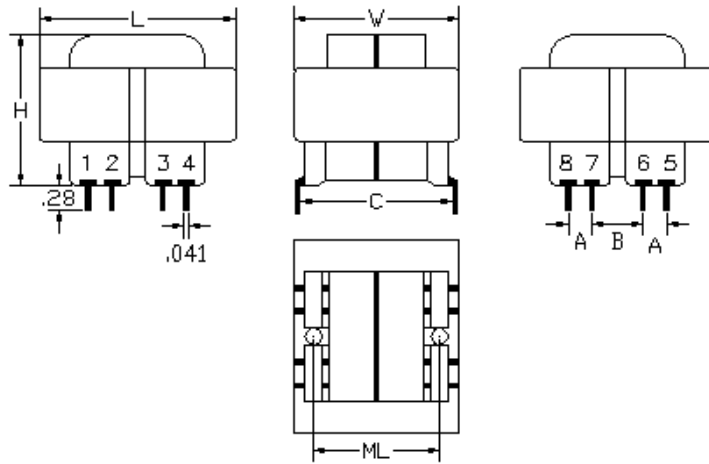
RP96 Series

Horizontal PCB Mount Transformer

Schematic



Mechanicals



Size	VA	Dimensions (Inches)							Optional Mtg. Screw & Nut	Weight (Lbs)
		L	W	H	ML	A	B	C		
2	1.1	1-3/8	1-1/8	15/16	----	.250	.250	1.200	None	0.17
3	2.4	1-3/8	1-1/8	1-3/16	----	.250	.250	1.200	None	0.25
4	6.0	1-5/8	1-5/16	1-5/16	1-1/16	.250	.350	1.280	4-40x1-3/8 Nylon	0.44
5	12.0	1-7/8	1-9/16	1-7/16	1-1/4	.300	.400	1.410	4-40x1-3/8 Nylon	0.70
6	20.0	2-1/4	1-7/8	1-7/16	1-1/2	.300	.400	1.600	4-40x1-3/8 Nylon	0.80
7	36.0	2-5/8	2-3/16	1-9/16	*	.400	.400	1.850	*	1.1

* 4 mounting holes 2 3/16 x 1 3/4 for #6 screw.

Dimensions shown for reference only.
Specifications subject to change.

RADIUS POWER
Standard & Custom Products

www.radiuspower.com
PH 714-289-0055
FAX 714-289-214