

RP95 Series

Chassis Mount Power Transformer

**RP95
UPTO 80VA
CHASSIS MOUNT
POWER TRANSFORMER**



ROHS COMPLIANT

Specifications

Power: 20VA to 80VA
Dielectric Strength: 2500VRMS Hi-pot
Primaries: Single primary
 (115V/120V/208V/240V- 50/60 Hz)
Secondaries: 12.6V, 20V, 24V
Terminals: Solder Lug / QD type terminals
Safety Approvals: UL506, CSA C22.2 No.66

Part Number / Ordering

Part Number	Primary Voltage	Secondary Voltage	Fuse	VA	Size
RP95-06-2012	115 V	12.6 V	100°C Thermal Fuse - Primary	20	6
RP95-06-3020	115 V	20.0 V	100°C Thermal Fuse - Primary	30	6
RP95-07-4024C	120 / 208 / 240 V	24.0 V	2A Current Fuse - Secondary	40	7
RP95-07-4024CT	120 / 208 / 240 V	24.0 V	115°C Thermal Fuse -Secondary	40	7
RP95-07-6024C	115 V	24.0 V	3.5A Current Fuse - secondary	60	7
RP95-07-6024CT	115 V	24.0 V	3.5A Current Fuse on Secondary with 150C thermal fuse in primary	60	7
RP95-08-8024	120 V	24.0 V	800mA slow blow fuse on Primary	80	8
RP95-09-8024T	120 / 208 / 240 V	24.0 V	100°C Thermal Fuse on primary	80	9

All fuses are UL listed . On primary fuse rated 250 VAC, secondary fuse 125 VAC.
 Thermal fuse : UL listed .

Dimensions shown for reference only.
 Specifications subject to change.

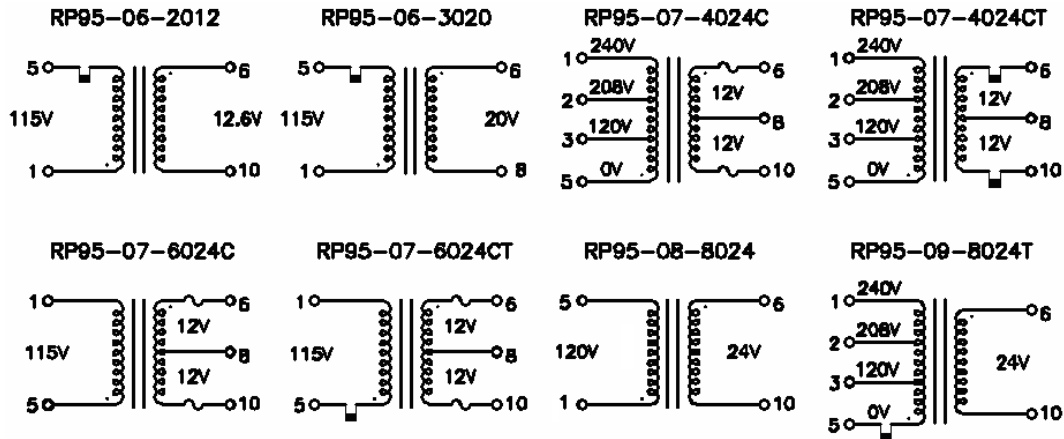
RADIUS POWER
 Standard & Custom Products

www.radiuspower.com
 PH 714-289-0055
 FAX 714-289-214

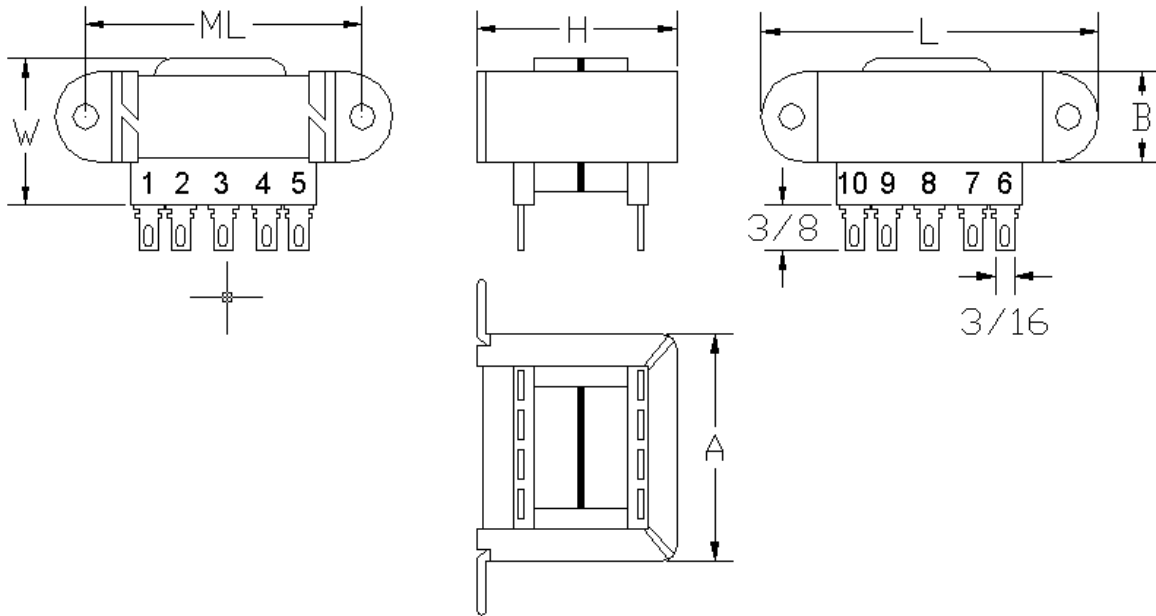
RP95 Series

Chassis Mount Transformers

Schematics



Mechanicals



Size	Dimensions (Inches)						Weight (Lbs)
	L	W	H	A	B	ML	
6	3-1/4	1-11/16	1-15/16	2-5/16	1-1/16	2-13/16	1.1
7	3-11/16	1-13/16	2-1/4	2-11/16	1-1/16	3-1/8	1.7
8	4-1/32	1-31/32	2-9/16	3-1/16	1-1/16	3-9/16	3.3
9	4-1/4	2-11/16	2-9/16	3-1/16	1-5/16	3-11/16	3.4

Dimensions shown for reference only.
Specifications subject to change.

RADIUS POWER
Standard & Custom Products

www.radiuspower.com
PH 714-289-0055
FAX 714-289-214