

RP94 Series

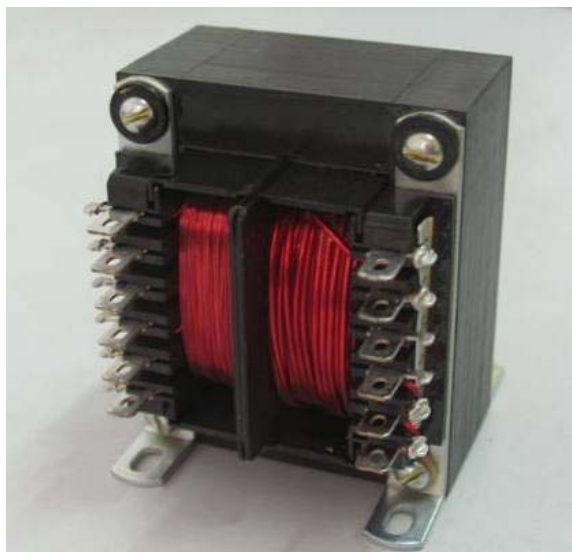
Universal Input Chassis Mount Transformer

**RP94
UPTO 175VA
CHASSIS MOUNT**

ROHS COMPLIANT

Specifications

- Power:** 25VA to 175VA
- Dielectric Strength:** 4000VRMS Hi-pot
- Primaries:** Dual primaries (115/230V- 50/60 Hz)
- Secondaries:** Series or Parallel
- Terminals:** Solder lug / quick-connect type terminals
- Insulation:** Class F insulation (155°C)
- Flammability:** Bobbin/Casing meet UL 94V0
- Safety Approvals:** UL 506, CSA C22.2 No. 66



Part Number / Ordering

Part NO.	VA (Size)	Secondary RMS Rating	
		Series	Parallel
RP94-025-10	25	10VCT @ 2.5A	5V @ 5.0A
RP94-043-10	43	10VCT @ 4.3A	5V @ 8.6A
RP94-080-10	80	10VCT @ 8.0A	5V @ 16.0A
RP94-130-10	130	10VCT @ 13.0A	5V @ 26.0A
RP94-175-10	175	10VCT @ 17.5A	5V @ 35.0A
RP94-025-12	25	12.6VCT @ 2.0A	6.3V @ 4.0A
RP94-043-12	43	12.6VCT @ 3.4A	6.3V @ 6.8A
RP94-080-12	80	12.6VCT @ 6.3A	6.3V @ 12.6A
RP94-130-12	130	12.6VCT @ 10.3A	6.3V @ 20.6A
RP94-175-12	175	12.6VCT @ 14.0A	6.3V @ 28.0A
RP94-025-16	25	16VCT @ 1.6A	8V @ 3.2A
RP94-043-16	43	16VCT @ 2.7A	8V @ 5.4A
RP94-080-16	80	16VCT @ 5.0A	8V @ 10.0A
RP94-130-16	130	16VCT @ 8.1A	8V @ 16.2A
RP94-175-16	175	16VCT @ 11.0A	8V @ 22.0A
RP94-025-20	25	20VCT @ 1.25A	10V @ 2.5A
RP94-043-20	43	20VCT @ 2.2A	10V @ 4.4A
RP94-080-20	80	20VCT @ 4.0A	10V @ 8.0A
RP94-130-20	130	20VCT @ 6.5A	10V @ 13.0A
RP94-175-20	175	20VCT @ 8.8A	10V @ 17.6A

Part NO.	VA (Size)	Secondary RMS Rating	
		Series	Parallel
RP94-025-24	25	24VCT @ 1.0A	12V @ 2.0A
RP94-043-24	43	24VCT @ 1.8A	12V @ 3.6A
RP94-080-24	80	24VCT @ 3.3A	12V @ 6.6A
RP94-130-24	130	24VCT @ 5.4A	12V @ 10.8A
RP94-175-24	175	24VCT @ 7.3A	12V @ 14.6A
RP94-025-28	25	28VCT @ 0.9A	14V @ 1.86A
RP94-043-28	43	28VCT @ 1.5A	14V @ 3.0A
RP94-080-28	80	28VCT @ 2.8A	14V @ 5.6A
RP94-130-28	130	28VCT @ 4.6A	14V @ 9.2A
RP94-175-28	175	28VCT @ 6.25A	14V @ 12.5A
RP94-025-36	25	36VCT @ 0.7A	18V @ 1.4A
RP94-043-36	43	36VCT @ 1.2A	18V @ 2.4A
RP94-080-36	80	36VCT @ 2.2A	18V @ 4.4A
RP94-130-36	130	36VCT @ 3.6A	18V @ 7.2A
RP94-175-36	175	36VCT @ 4.8A	18V @ 9.6A
RP94-025-230	25	230VCT @ 0.11A	115V @ 0.22A
RP94-043-230	43	230VCT @ 0.19A	115V @ 0.38A
RP94-080-230	80	230VCT @ 0.35A	115V @ 0.70A
RP94-130-230	130	230VCT @ 0.57A	115V @ 1.14A
RP94-175-230	175	230VCT @ 0.76A	115V @ 1.52A

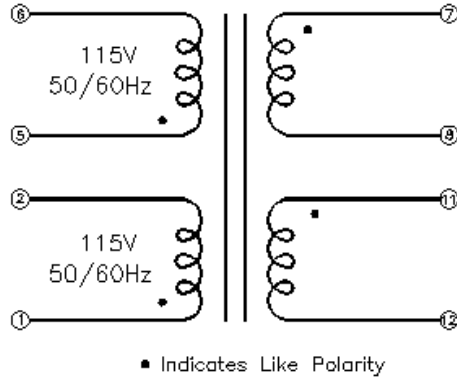
Dimensions shown for reference only.
Specifications subject to change.

RADIUS POWER
Standard & Custom Products

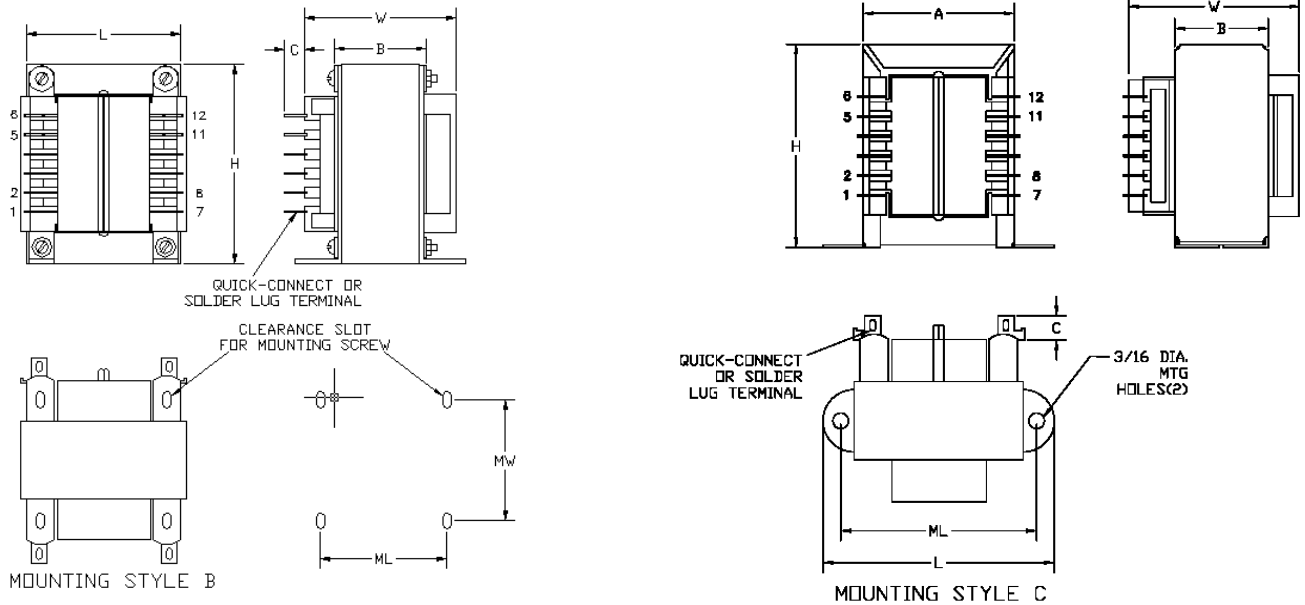
www.radiuspower.com
PH 714-289-0055
FAX 714-289-214

RP94 Series Universal Input Chassis Mount Transformer

Schematic



Mechanicals



VA (Size)	Dimensions (Inches)						Terminals	Mtg. style	Mfg. Dim.		Mtg. screw	Wgt
	L	W	H	A	B	C			ML	MW		
25	2.81	2.14	2.31	2.00	1.12	0.31	0.187	C	2.37"	-	#6	1.26 lbs
43	3.12	2.14	2.68	2.25	1.12	0.31	0.187	C	2.81"	-	#6	1.62 lbs
80	2.50	2.52	3.00	-	1.37	0.31	0.187	B	2.00"	2.18"	#6	2.79 lbs
130	2.81	3.00	3.37	-	1.62	0.37	0.25	B	2.25"	2.50"	#8	4.12 lbs
175	3.12	3.14	3.75	-	1.62	0.37	0.250	B	2.50"	2.50"	#8	5.53 lbs

Dimensions shown for reference only.
Specifications subject to change.

RADIUS POWER
Standard & Custom Products

www.radiuspower.com
PH 714-289-0055
FAX 714-289-214