

**RP91  
UPTO 2000VA  
CHASSIS MOUNT AUTO TRANSFORMER**

**ROHS COMPLIANT**



**Specifications**

**Power:** 50VA to 2000VA

**Dielectric Strength:** 2500VRMS Hi-pot

**Primaries:** 115V/230V- 50/60 Hz, Step up or  
Step down (Bi-Directional)

**Insulation:** Class F insulation (155°C)

**Lead Wire:** UL 1015, 22 AWG, 50-500 VA  
14 AWG, 1000 VA  
12 AWG, 2000 VA

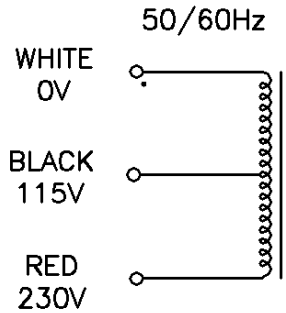
**Safety Approvals:** UL506, CSA C22.2 No.66

**PART NUMBER / ORDERING**

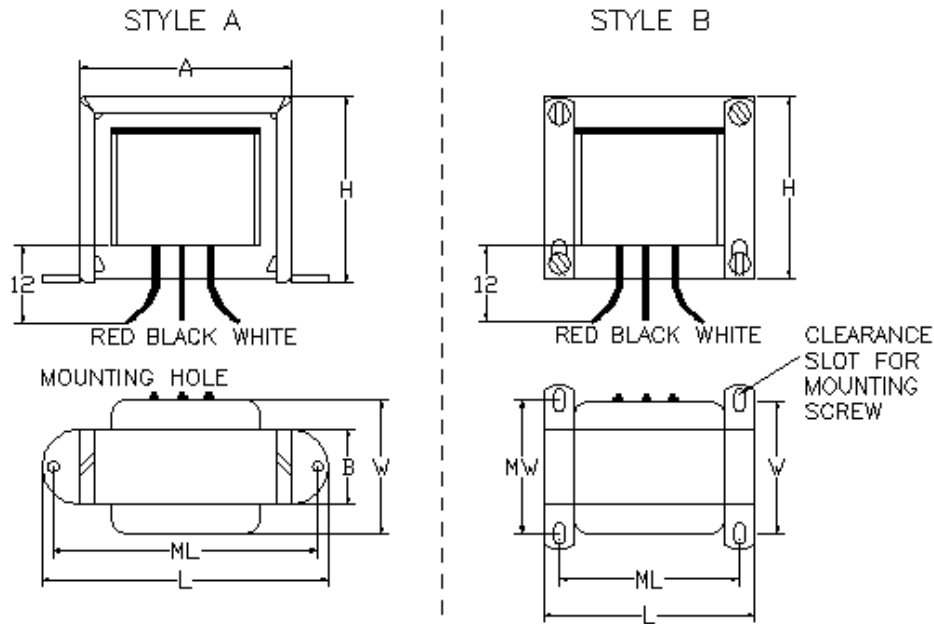
Part Number	Input Voltage	Termination	VA
RP91-52-0050	115 / 230V	Leads	50
RP91-52-0100	115 / 230V	Leads	100
RP91-52-0250	115 / 230V	Leads	250
RP91-52-0300	115 / 230V	Leads	300
RP91-52-0500	115 / 230V	Leads	500
RP91-52-1000	115 / 230V	Leads	1000
RP91-52-2000	115 / 230V	Leads	2000

**RP91 Series  
Schematics**

**Chassis Mount Auto Transformer**



**Mechanicals**



Part Number	Dimensions (Inches)					Mtg. style	Mtg. Dim.		Weight (Lbs)
	L	W	H	A	B		ML	MW	
RP91-52-0050	3.25	1.7	1.98	2.4	0.9	A	2.81	-	1
RP91-52-0100	3.25	2.2	1.98	2.4	1.4	A	2.81	-	1.6
RP91-52-0250	3.38	2.6	2.81	-	-	B	2.81	2.25	3.7
RP91-52-0300	3.38	2.6	2.81	-	-	B	2.81	2.25	3.7
RP91-52-0500	3.75	3.7	3.13	-	-	B	3.13	3	6.6
RP91-52-1000	5.25	4.1	4.38	-	-	B	4.38	3.13	14.3
RP91-52-2000	5.25	6	4.38	-	-	B	4.38	5.13	25.5

Dimensions shown for reference only.  
Specifications subject to change.

**RADIUS POWER**  
Standard & Custom Products

www.radiuspower.com  
PH 714-289-0055  
FAX 714-289-214