

RP90 Series

Transformers with lead wires

**RP90
TRANSFORMER**

ROHS COMPLIANT

Specifications

Power: 5VA to 50VA
Dielectric Strength: 2500VRMS Hi-pot
Primaries: Single primary (115V/230V- 50/60 Hz)
Secondaries: Center tapped
Insulation: Class B insulation (130°C)
Flammability: Bobbin and wrap around body material meet UL 94V0
Safety Approvals: UL506, CSA C22.2 No.66
 Lead wire : UL 1015 ,22 AWG



Part Number / Ordering

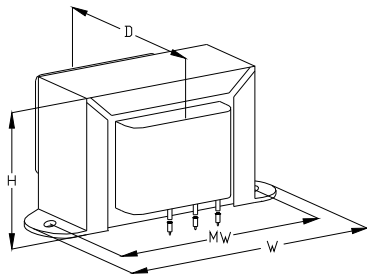
Part Number	Input Voltage	Style	Secondary RMS volts	Insulation Test RMS Volts	Termination	
					Primary	Secondary
RP90-005-020	115/230V	A	20.0 CT @ 0.25A	2500	Leads	Leads
RP90-006-020	115/230V	A	20.0 CT @ 0.30A	2500	Leads	Leads
RP90-010-020	115/230V	A	20.0 CT @ 0.50A	2500	Leads	Leads
RP90-020-020	115/230V	A	20.0 CT @ 1.00A	2500	Leads	Leads
RP90-005-024	115/230V	A	24.0 CT @ 0.20A	1500	Leads	Leads
RP90-024-024	115/230V	B	24.0 CT @ 1.0A	1500	Leads	Leads
RP90-050-025	115/230V	B	25.2 CT @ 2.0A	1500	Leads	Leads
RP90-010-040	115/230V	A	40.0 CT @ 0.25A	2500	Leads	Leads

Dimensions shown for reference only.
 Specifications subject to change.

RADIUS POWER
 Standard & Custom Products

www.radiuspower.com
 PH 714-289-0055
 FAX 714-289-214

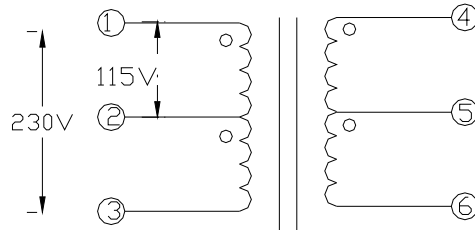
Mechanicals



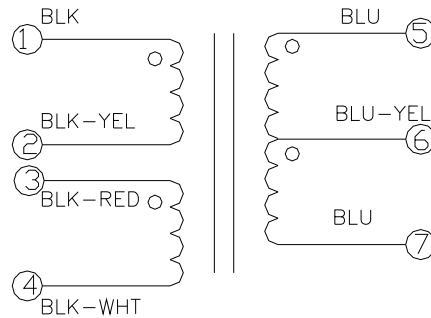
For Style A
 115 V - Input on 1-2
 230 V - Input on 1-3

For Style B
 115 V - Connect 1-3 & 2-4
 Input on 1-4
 230 V - Connect 2-3
 Input on 1-4

Schematics Style A



Style B



Part No.	Style	Dimensions				Weight
		H	Case W	D	MW	
RP90-005-020	A	1.44"	2.38"	1.38"	2.00"	0.40 lbs
RP90-006-020	A	1.44"	2.38"	1.38"	2.00"	0.60 lbs
RP90-010-020	A	1.75"	2.88"	1.63"	2.38"	0.80 lbs
RP90-020-020	A	2.00"	3.25"	2.25"	2.81"	1.40 lbs
RP90-005-024	A	1.38"	2.38"	1.50"	2.00"	0.30 lbs
RP90-024-024	B	2.00"	3.25"	2.06"	2.81"	1.30 lbs
RP90-050-025	B	2.63"	4.00"	2.25"	3.56"	2.20 lbs
RP90-010-040	A	1.75"	2.88"	1.63"	2.38"	0.80 lbs

Dimensions shown for reference only.
 Specifications subject to change.

RADIUS POWER
 Standard & Custom Products

www.radiuspower.com
 PH 714-289-0055
 FAX 714-289-214