

RP615 Series

High Performance Dual Stage DC Filter

**RP615
HIGH PERFORMANCE TO 20A
DC FILTER**

ROHS COMPLIANT

Specifications

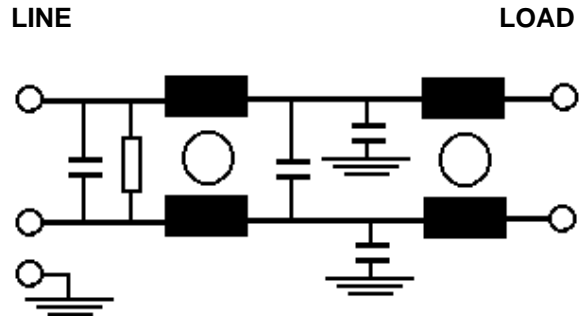
Operating Voltage: 100Vdc
Ambient Temperature: 55°C
Inrush Rating: 20x (10ms), 1.5x (1.5min)
Climatic Category : 25/100/21
Hipot Rating: 2500VDC (P/N - E)
Terminals: .250 QD Tabs



Part Number / Ordering

RP615	-X (Amps)	-Y (Ycap, nF)
	3	0
	6	.22
	10	.47
	20	1
		2.2
		3.3
		4.7
		10
		22
		33
		47
		100
		1000

Schematic



Note: Use any -Y (Ycap) with any -X (Amps) rating
 e.g. RP615-20-4.7
 20 Amps with 4.7nF y-caps

Dimensions shown for reference only.
 Specifications subject to change.

RADIUS POWER
 Standard & Custom Products

www.radiuspower.com
 PH 714-289-0055
 FAX 714-289-214

RP615

Typical Insertion Loss, 50/50ohm

Mechanicals
3 AMP

FREQ(MHz)	.15	.5	1	10	30
CM, dB	60	70	70	52	50
DM, dB	50	60	68	60	60

6 AMP

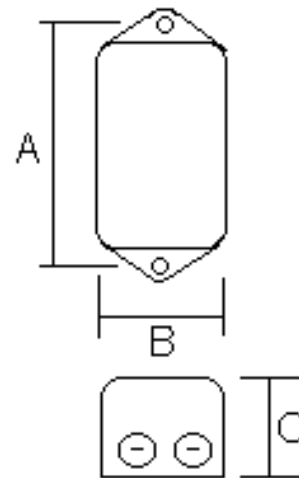
FREQ(MHz)	.15	.5	1	10	30
CM, dB	60	70	70	52	50
DM, dB	50	60	68	60	60

10 AMP

FREQ(MHz)	.15	.5	1	10	30
CM, dB	55	70	70	50	50
DM, dB	45	60	60	70	65

20 AMP

FREQ(MHz)	.15	.5	1	10	30
CM, dB	40	65	70	52	40
DM, dB	34	58	60	65	60



A	B	C	MTG HOLE
4.06	2.2	1.8	.2

Dimensions shown for reference only.
Specifications subject to change.

RADIUS POWER
Standard & Custom Products

www.radiuspower.com
PH 714-289-0055
FAX 714-289-214