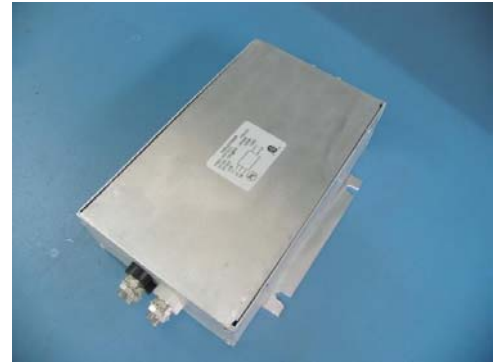


RP600C Series

High Performance DC Filter w/ Circuit Breaker

**RP600C
HIGH PERFORMANCE TO 125A
DC FILTER W/ CIRCUIT
BREAKER**

ROHS COMPLIANT



Specifications

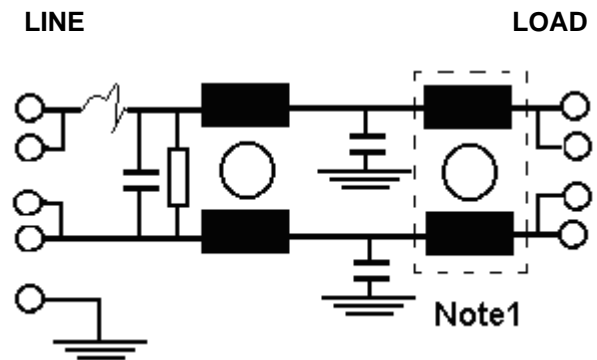
Operating Voltage: 100Vdc
Ambient Temperature: 55°C
Inrush Rating: 20x (10ms), 1.5x (1.5min)
Climatic Category : 25/100/21
Hipot Rating: 2500VDC (P/N - E)
Terminals: -S: 15/30/60A (M5)
 100/125A (M6)
 Contact factory for alternate terminations.
Safety Approvals: UR/cCSAus/EN60950

Part Number / Ordering

RP600C	-X (Amps)	-Y (Ycap, nF)	-T	-Z
	15	0	-S	-B
	30	.22		-F
	60	.47		
	100	1		
	125	2.2		
		3.3		
		4.7		
		10		
		22		
		33		
		47		
		100		
		1000		
		2200		

Note: Use any -Y (Ycap), -T (Termination),
 -Z (Mounting Type) with any -X (Amps) rating
 e.g. RP600C-30-4.7-S-F
 30 Amps with 4.7nF y-caps, stud, flange

**Schematic
LINE**



Note1: Inductor removed for 100A and 125A

Dimensions shown for reference only.
 Specifications subject to change.

RADIUS POWER
 Standard & Custom Products

www.radiuspower.com
 PH 714-289-0055
 FAX 714-289-214

RP600C

Typical Insertion Loss, 50/50ohm

Mechanicals

15 AMP

FREQ(MHz)	.15	.5	1	10	30
CM, dB	22	42	50	50	40
DM, dB	30	32	38	40	35

30 AMP

FREQ(MHz)	.15	.5	1	10	30
CM, dB	24	50	60	45	38
DM, dB	32	35	60	45	30

60 AMP

FREQ(MHz)	.15	.5	1	10	30
CM, dB	18	40	40	45	35
DM, dB	40	42	35	42	35

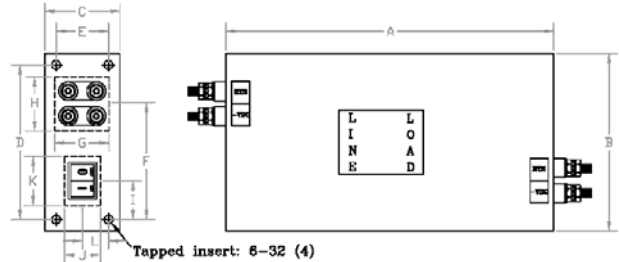
100 AMP

FREQ(MHz)	.15	.5	1	10	30
CM, dB	20	40	40	35	25
DM, dB	40	42	30	45	35

125 AMP

FREQ(MHz)	.15	.5	1	10	30
CM, dB	20	32	34	30	20
DM, dB	40	42	30	42	35

Bulkhead Style with Circuit Breaker

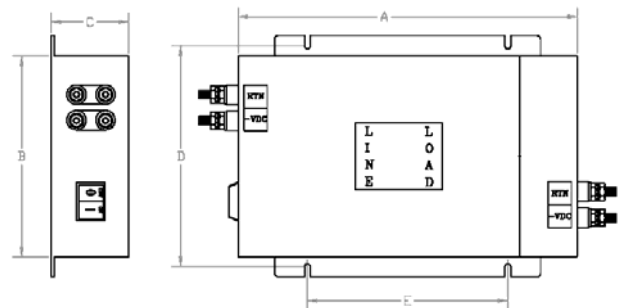


I	A	B	C	D	E
15	6.06	5.06	1.48	4.50	0.95
30	7.06	5.06	1.48	4.50	0.95
60	9.06	5.06	1.48	4.50	0.95
100/125	10.06	6.06	1.78	5.50	1.25

Recommended panel cutout dimension

I	F	G	H	I	J	K	L
15/30/60	3.47	1.25	1.38	1.31	0.78	1.50	0.475
100/125	4.22	1.55	1.70	1.56	0.78	1.50	0.262

Flange Style with Circuit Breaker



I	A	B	C	D	E	MTG
15	6.06	5.06	1.48	5.74	3.52	.26x.39
30	7.06	5.00	1.48	5.74	4.52	.26x.39
60	9.06	5.06	1.48	5.74	6.52	.26x.39
100/125	10.06	6.06	1.78	6.74	7.52	.26x.39

Dimensions shown for reference only.
Specifications subject to change.

RADIUS POWER
Standard & Custom Products

www.radiuspower.com
PH 714-289-0055
FAX 714-289-214