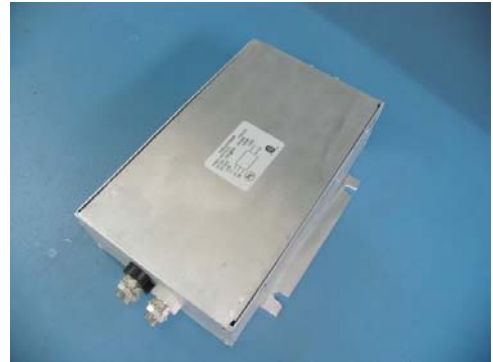


RP600 Series

High Performance DC Power Line Filter

**RP600
HIGH PERFORMANCE TO 125A
DC FILTER**

ROHS COMPLIANT



Specifications

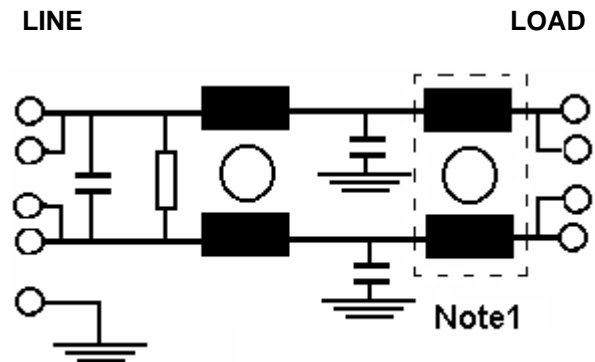
Operating Voltage: 100Vdc
Ambient Temperature: 55°C
Inrush Rating: 20x (10ms), 1.5x (1.5min)
Climatic Category : 25/100/21
Hipot Rating: 2500VDC (P/N - E)
Terminals: -S: 15/30/60/80A (M5)
 100/125A (M6)
 Contact factory for alternate terminations.
Safety Approvals: UR/cCSAus/EN60950

Part Number / Ordering

RP600	-X (Amps)	-Y (Ycap, nF)	-T	-Z
	15	0	-S	-B
	30	.22		-F
	60	.47		
	80	1		
	100	2.2		
	125	3.3		
		4.7		
		10		
		22		
		33		
		47		
		100		
		1000		
		2200		

Note: Use any -Y (Ycap), -T (Termination),
 -Z (Mounting Type) with any -X (Amps) rating
 e.g. RP600-30-4.7-S-F
 30 Amps with 4.7nF y-caps, stud, flange

**Schematic
LINE**



Note1: Inductor removed for 100A and 125A

Dimensions shown for reference only.
 Specifications subject to change.

RADIUS POWER
 Standard & Custom Products

www.radiuspower.com
 PH 714-289-0055
 FAX 714-289-214

RP600

Typical Insertion Loss, 50/50ohm

Bulkhead Style

Mechanicals

15 AMP

FREQ(MHz)	.15	.5	1	10	30
CM, dB	22	42	50	50	40
DM, dB	30	32	38	40	35

30 AMP

FREQ(MHz)	.15	.5	1	10	30
CM, dB	24	50	60	45	38
DM, dB	32	35	60	45	30

60/80 AMP

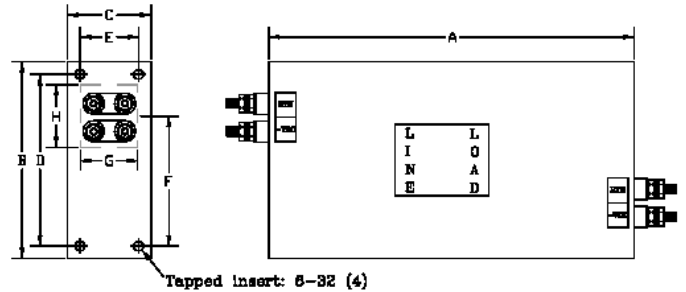
FREQ(MHz)	.15	.5	1	10	30
CM, dB	18	40	40	45	35
DM, dB	40	42	35	42	35

100 AMP

FREQ(MHz)	.15	.5	1	10	30
CM, dB	20	40	40	35	25
DM, dB	40	42	30	45	35

125 AMP

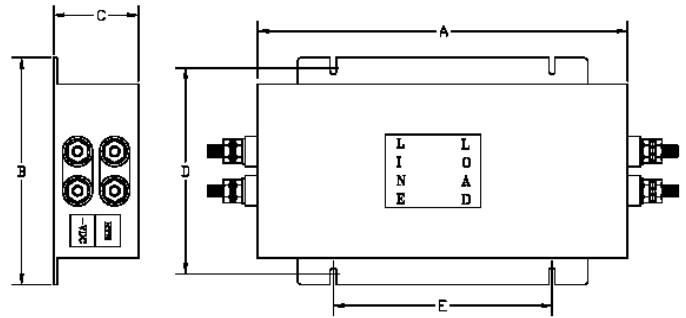
FREQ(MHz)	.15	.5	1	10	30
CM, dB	20	32	34	30	20
DM, dB	40	42	30	42	35



I	A	B	C	D	E	F	G	H
15	4.06	5.06	1.48	4.50	0.95	3.47	1.25	1.38
30	6.06	5.06	1.48	4.50	0.95	3.47	1.25	1.38
60/80	7.06	5.06	1.48	4.50	0.95	3.47	1.25	1.38
100/125	8.06	5.06	1.78	4.50	1.25	3.47	1.55	1.70

Note: F, G, & H are recommended panel cutout dimension.

Flange Style



I	A	B	C	D	E	MTG
15	3.70	3.10	1.78	2.68	2.00	.2x.156
30	4.56	3.96	2.18	3.50	2.00	.2x.156
60/80	5.94	5.48	2.55	4.92	2.75	.26x.39
100/125	8.46	6.30	2.52	5.70	4.52	.26x.39

Dimensions shown for reference only.
Specifications subject to change.

RADIUS POWER
Standard & Custom Products

www.radiuspower.com
PH 714-289-0055
FAX 714-289-214