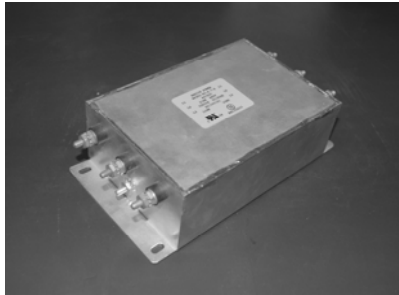


RP350 Series **3-Phase Delta 1-Stage Power Line Filter**

RP350
3PH DELTA TO 100A

ROHS COMPLIANT



Specifications

Operating Frequency: DC - 60Hz
Operating Voltage: 480V +10%
Ambient Temperature: 50°C
Inrush Rating: 20x (10ms), 1.5x (1min)
Climatic Category: 25/100/21
Hipot Rating: 3000VDC (P/N - E)
Terminations: 20/40/60A (M5)
 80/100A (M6)
Safety Approval: UR/CSA/EN133200

Leakage Current

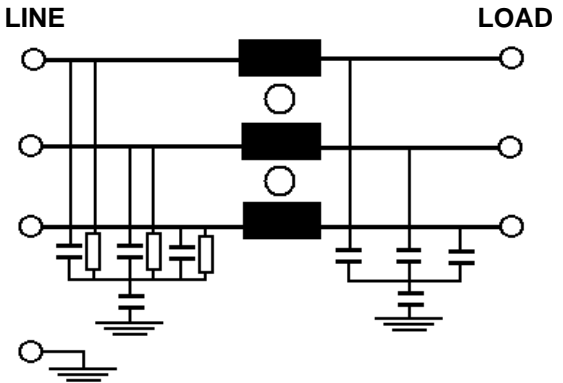
Ycap, nF	mA, 400V/50HZ
0	0
.22	.004
.47	.009
1	.018
2.2	.04
3.3	.06
4.7	.09
10	.18
22	.4
100	1.8

Part Number / Ordering

RP350	-X (Amps)	-Y (Ycap, nF)	-T
	20	0	S
	40	.22	
	60	.47	
	80	1	
	100	2.2	
		3.3	
		4.7	
		10	
		22	
		100	

Note: Use any -Y (Ycap) with any -X (Amps) rating
 e.g. RP350-40-10-S
 40 Amps with 10nF y-caps

Schematic



Dimensions shown for reference only.
 Specifications subject to change.

RP350 Typical Insertion Loss, 50/50ohm

Mechanicals

20 AMP

FREQ(MHz)	.15	.5	1	10	30
CM, dB	60	70	65	60	40
DM, dB	55	70	70	70	60

40 AMP

FREQ(MHz)	.15	.5	1	10	30
CM, dB	45	55	55	50	40
DM, dB	46	65	70	70	60

60 AMP

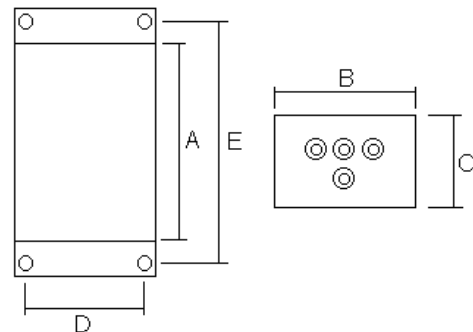
FREQ(MHz)	.15	.5	1	10	30
CM, dB	42	52	55	50	40
DM, dB	40	60	65	65	60

80 AMP

FREQ(MHz)	.15	.5	1	10	30
CM, dB	36	50	50	48	40
DM, dB	36	55	55	58	50

100 AMP

FREQ(MHz)	.15	.5	1	10	30
CM, dB	30	48	50	46	35
DM, dB	30	50	50	45	45



A	B	C	D	E	MTG
6	4	3.25	2.75	7	.25x.3

Dimensions shown for reference only.
Specifications subject to change.

RADIUS POWER
Standard & Custom Products

www.radiuspower.com
PH 714-289-0055
FAX 714-289-214