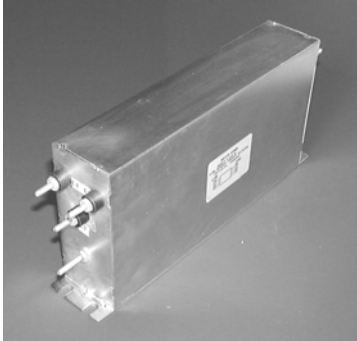


**RP328 Series** **3-Phase Delta 1-Stage Power Line Filter**

**RP328**  
**3PH DELTA TO 180A**  
**BOOKSHELF DESIGN**

ROHS COMPLIANT



**Specifications**

**Operating Frequency:** DC - 60Hz  
**Operating Voltage:** 480V +10%  
**Ambient Temperature:** 50°C  
**Inrush Rating:** 20x (10ms), 1.5x (1min)  
**Climatic Category:** 25/100/21  
**Hipot Rating:** 3000VDC (P/N - E)  
**Terminations:** 7/16/30/42/55A (M5)  
 75/100A (M6), 130/180A (M10)  
**Safety Approvals:** cCSAus/UR/EN133200  
 (7-100A Models)

**Leakage Current**

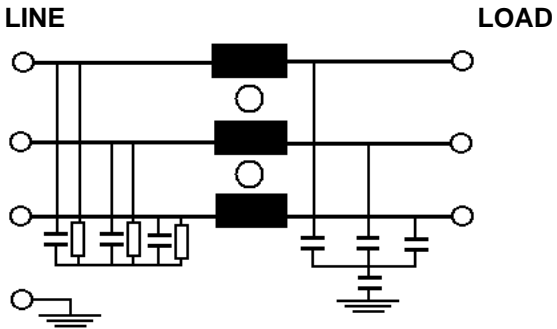
Ycap, nF	mA, 400V/50HZ
0	0
.22	.004
.47	.009
1	.018
2.2	.04
3.3	.06
4.7	.09
10	.18
22	.4
100	1.8
1000	18
2200	30

**Part Number/Ordering**

RP327	-X (Amps)	-Y (Ycap, nF)	-T
	7	0	S
	16	.22	
	30	.47	
	42	1	
	55	2.2	
	75	3.3	
	100	4.7	
	130	10	
	180	22	
		100	
		1000	
		2200	

Note: Use any -Y (Ycap) with any -X (Amps) rating  
 e.g. RP328-130-1-S  
 130 Amps with 1nF y-caps

**Schematic**



**RP328 Typical Insertion Loss, 50/50ohm**

**Mechanicals**

**7 / 16 AMP**

<b>FREQ(MHz)</b>	<b>.15</b>	<b>.5</b>	<b>1</b>	<b>10</b>	<b>30</b>
<b>CM, dB</b>	65	70	70	50	30
<b>DM, dB</b>	55	70	70	60	40

**30 AMP**

<b>FREQ(MHz)</b>	<b>.15</b>	<b>.5</b>	<b>1</b>	<b>10</b>	<b>30</b>
<b>CM, dB</b>	65	70	70	45	25
<b>DM, dB</b>	55	70	70	60	40

**42 / 55 AMP**

<b>FREQ(MHz)</b>	<b>.15</b>	<b>.5</b>	<b>1</b>	<b>10</b>	<b>30</b>
<b>CM, dB</b>	65	70	70	40	20
<b>DM, dB</b>	55	65	60	50	50

**75 / 100 AMP**

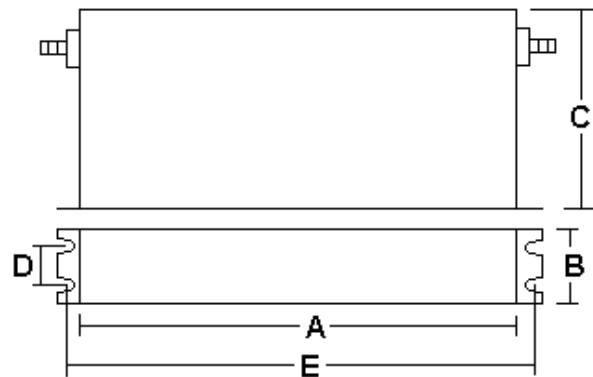
<b>FREQ(MHz)</b>	<b>.15</b>	<b>.5</b>	<b>1</b>	<b>10</b>	<b>30</b>
<b>CM, dB</b>	65	70	70	40	20
<b>DM, dB</b>	55	70	60	55	30

**130 AMP**

<b>FREQ(MHz)</b>	<b>.15</b>	<b>.5</b>	<b>1</b>	<b>10</b>	<b>30</b>
<b>CM, dB</b>	58	70	65	40	22
<b>DM, dB</b>	55	60	55	40	42

**180 AMP**

<b>FREQ(MHz)</b>	<b>.15</b>	<b>.5</b>	<b>1</b>	<b>10</b>	<b>30</b>
<b>CM, dB</b>	55	70	70	40	20
<b>DM, dB</b>	50	65	50	40	40



	A	B	C	D	E	MTG
7	6.3	1.57	2.75	0.8	7.0	.25x.3
16	8.7	1.77	2.75	1.0	9.25	.25x.3
30	9.45	2	3.35	1.2	10	.25x.3
42	11	2	3.35	1.2	11.6	.25x.3
55	8.7	3.35	3.55	2.4	9.25	.25x.3
75	9.45	3.15	5.3	2.4	10	.25x.3
100	9.45	3.55	5.9	2.56	10	.25x.3
130	9.45	3.55	5.9	2.56	10	.25x.5
180	13.8	4.7	6.7	4	14.4	.25x.5