

RPT5500 Series

TEMPEST/COTS AC EMI Power Line Filter

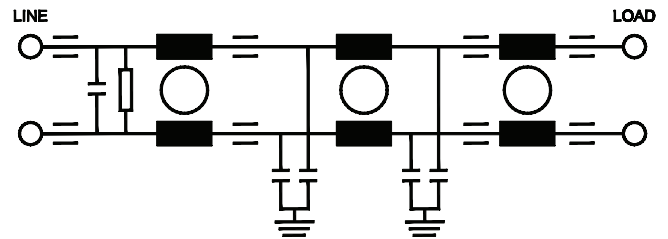
**RPT5500
TEMPEST/ COTS TO 35A
PERFORMANCE TO 10GHZ
100dB**



SPECIFICATIONS

Operating Freq.	: 50/60/400Hz
Max. Operating Voltage	: 300VAC
Ambient Temperature	: -40 to 70C
Hipot Rating (L-G)	: 1500VDC
Terminals (-T)	: S: M5
Applications	: TEMPEST/Mil-461/ DO-160
Leakage Current	: 3.5mA/ Line (250V/60Hz)
<p>Note: Call for other termination types (e.g. Circular Mil Connectors, etc.) Leakage current is directly related to the line-ground caps in the filter. If higher leakage current is allowed, the caps can be increased to improve the low frequency insertion loss</p>	

SCHEMATIC



PART NUMBER/ ORDERING

RPT5500	-X (Amps)	-T	Weight LBS (KG) Typ.
	5	S	3.2 (1.5)
	10		3.2 (1.5)
	15		6.0 (2.7)
	25		6.0 (2.7)
	30		6.0 (2.7)
	35		6.0 (2.7)

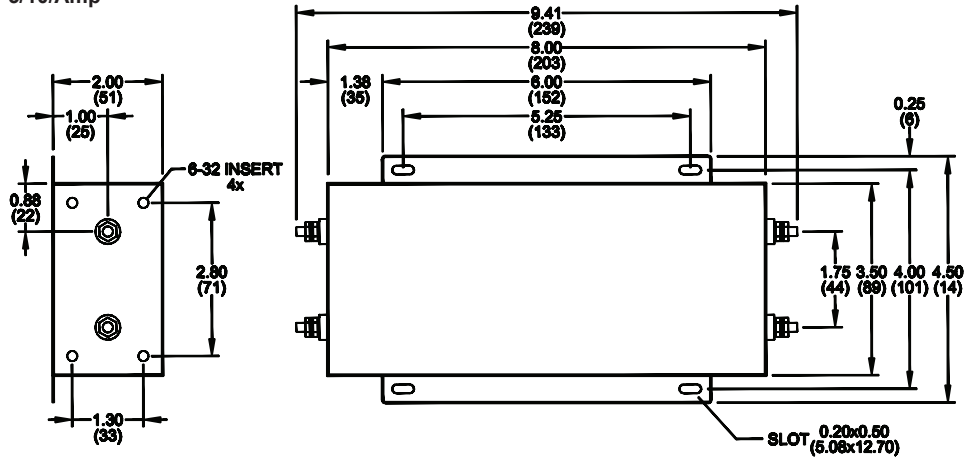
Typical CM Insertion Loss, 50ohm

14KHz	20dB
100KHz	60dB
500KHz	80dB
1MHz-10GHz	100dB

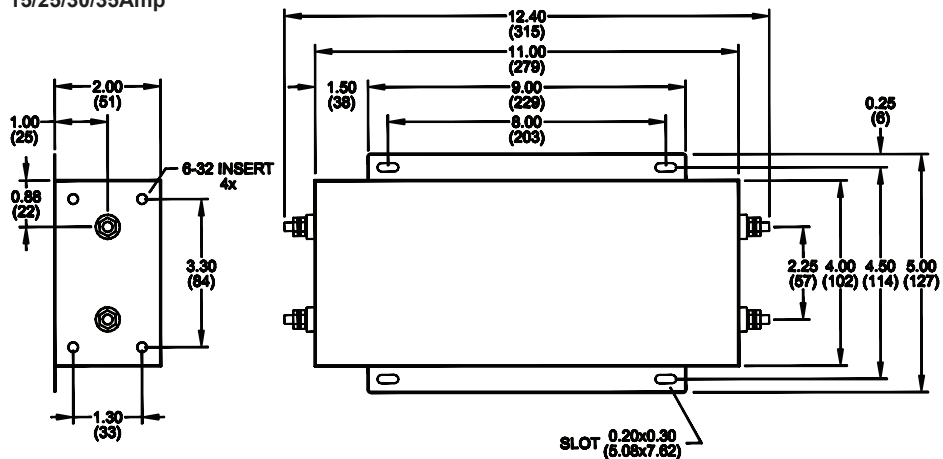
Reference purposes only.
Specifications are subject to change.
Consult factory to verify specifications.

RPT5500 Mechanical Dimensions

5/10/Amp



15/25/30/35Amp



TYPICAL TOLERANCE: +/-0.02 (0.50)

Reference purposes only.
 Specifications are subject to change.
 Consult factory to verify specifications.