

RPM8500 Series

MIL/COTS 3-PH Delta EMI Power Line Filter

**RPM8500
MILITARY/ COTS TO 150A
50/60/400Hz
MIL-STD-461/ DO-160**



SPECIFICATIONS

Operating Freq.	: 50/60/400Hz
Max. Operating Voltage	: 480VAC
Ambient Temperature	: -40 to 70C
Hipot Rating (L-G)	: 1800VDC
Terminals (-T)	: S: 5/10/20/30A (M5) 50A (M6) 125/150A (M10)
Typical Leakage Curr.	: 3.5mA (480V/60HZ)
Applications	: Mil-461/ DO-160
Note:	* Call for other termination types (e.g. Circular Mil Connector, etc.)

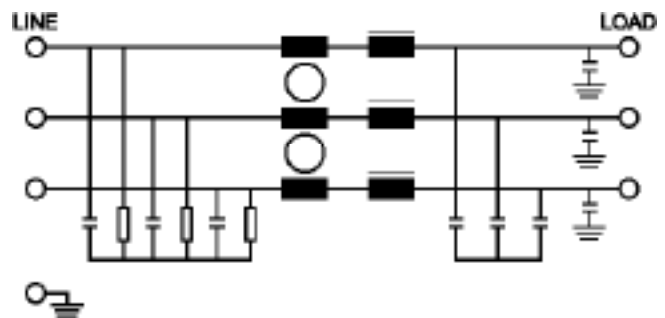
**TYPICAL INSERTION LOSS, dB
(50/50ohm)**

FREQ (MHz)	.01	.15	.5	1	10	30
CM(dB)	16	30	48	52	48	35
DM(dB)	22	40	55	55	45	30

PART NUMBER/ ORDERING

RPM8500	-X (Amps)	-T	Weight LBS (KG) Typ.
	5	S	2.8 (1.2)
	10		2.8 (1.2)
	20		6.0 (2.7)
	30		6.0 (2.7)
	50		9.0 (4.1)
	125		14.0 (6.4)
	150		16.0 (7.3)

SCHEMATIC

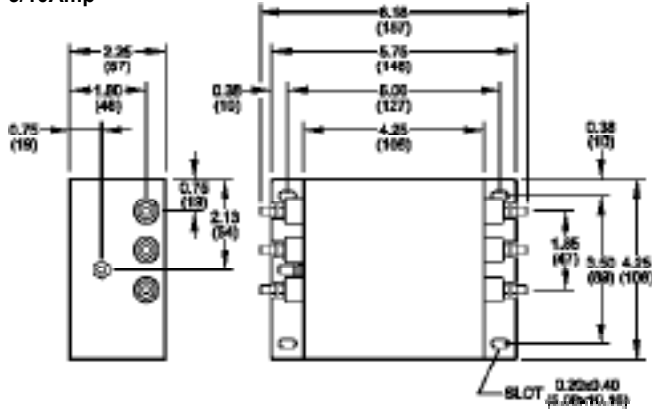


Reference purposes only.
Specifications are subject to change.
Consult factory to verify specifications.

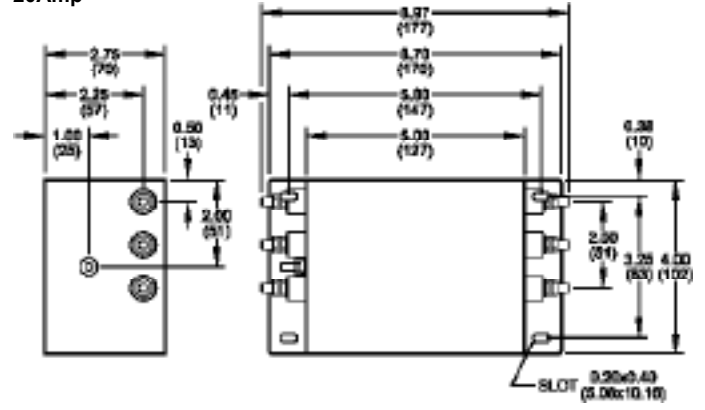


RPM8500 Mechanical Dimensions

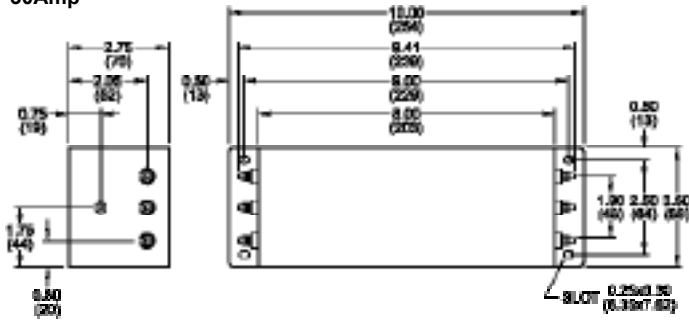
5/10Amp



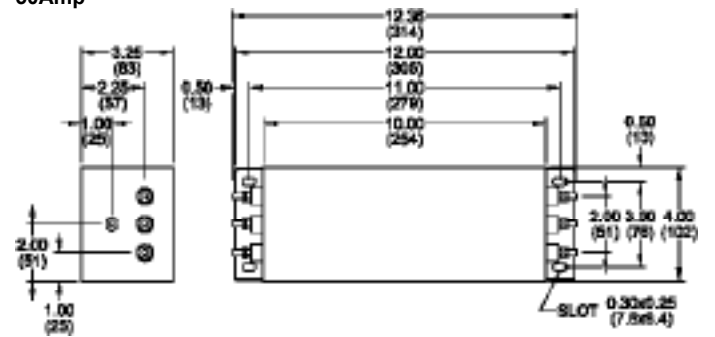
20Amp



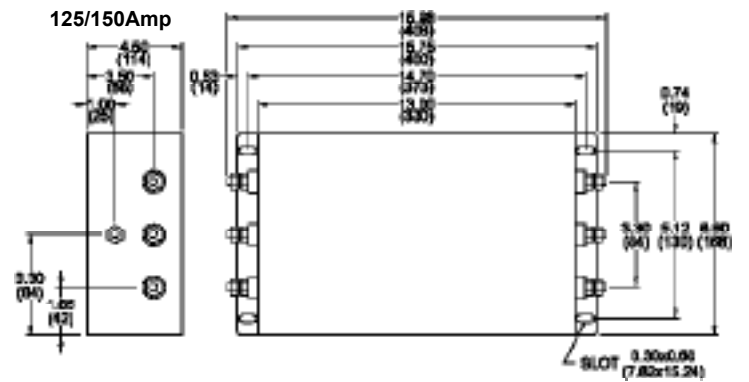
30Amp



50Amp



125/150Amp



TYPICAL TOLERANCE: +/-0.02 (0.50)

Reference purposes only.
Specifications are subject to change.
Consult factory to verify specifications.

www.radiuspower.com
www.astrodyne.com

Email: Emifilters@astrodyne.com