



RPM8000 Series

MIL/COTS 3-PH+N EMI Power Line Filter

**RPM8000
MILITARY/ COTS TO 150A
50/60/400Hz
MIL-STD-461/ DO-160**



SPECIFICATIONS

Operating Freq.	: 50/60/400Hz
Max. Operating Voltage	: 480VAC
Ambient Temperature	: -40 to 70C
Hipot Rating (L-G)	: 1800VDC
Terminals (-T)	: S: 5/10/20/30/50A (M5) 80A (M6) 125/150A (M10)
Typical Leakage Curr.	: 3.5mA (480V/60Hz)
Applications	: Mil-461/ DO-160
*Call for other termination types (e.g. Circular Mil Connector, etc.)	

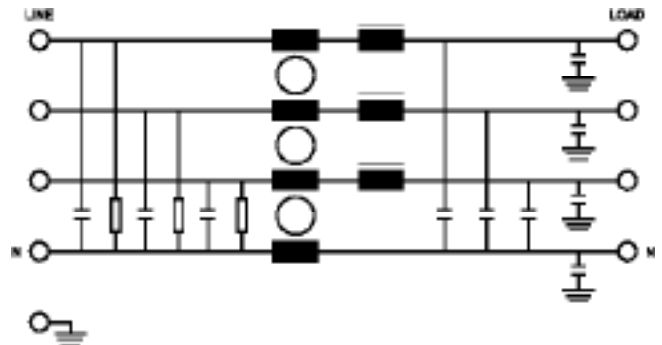
**TYPICAL INSERTION LOSS, dB
(50/50ohm)**

FREQ (MHz)	.01	.15	.5	1	10	30
CM(dB)	16	30	48	60	55	40
DM(dB)	22	40	55	55	45	-

PART NUMBER/ ORDERING

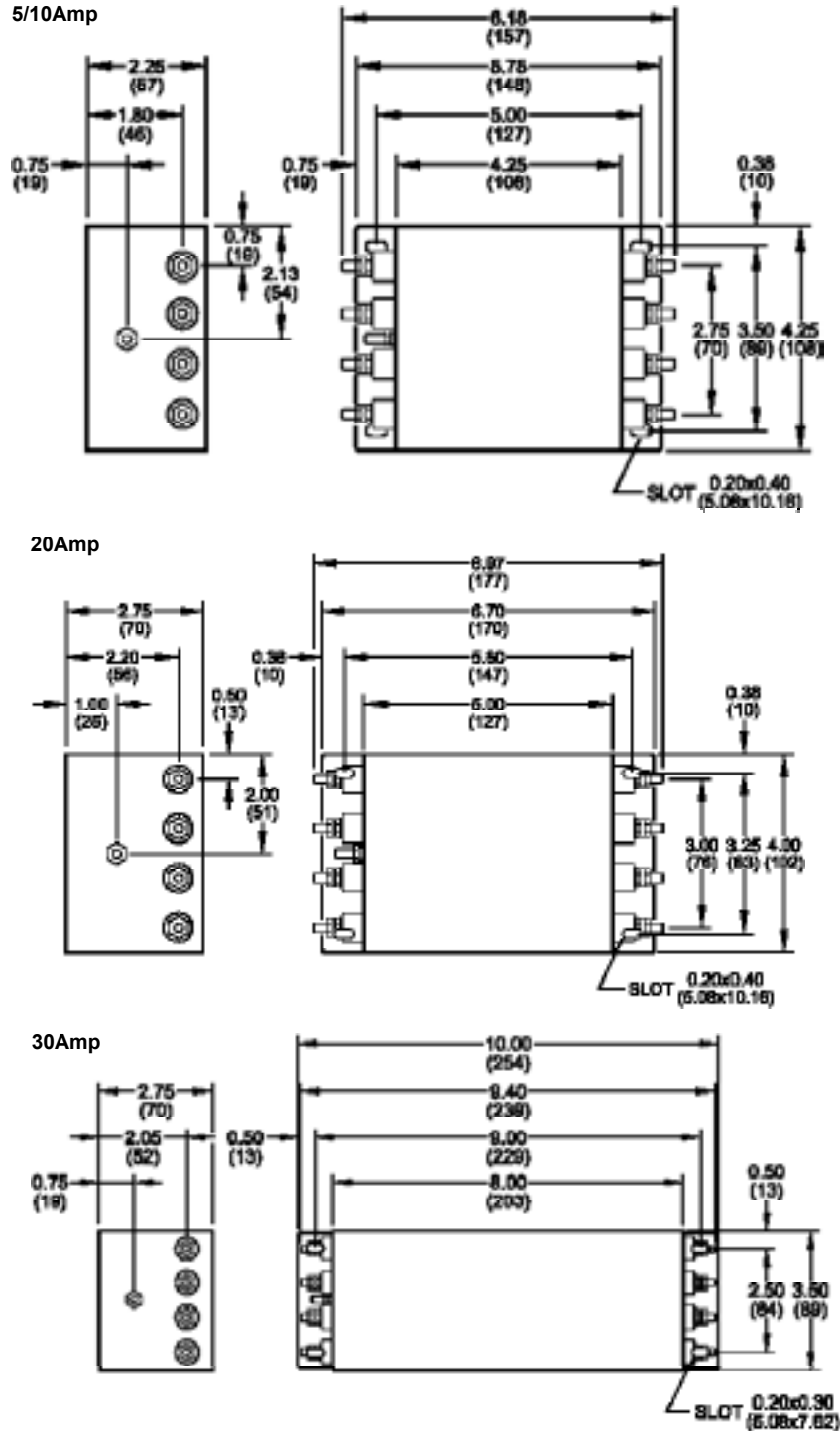
RPM8000	-X (Amps)	-T	Weight LBS (KG) Typ.
	5	S	2.7 (1.2)
	10		2.7 (1.2)
	20		5.2 (2.4)
	30		5.2 (2.4)
	50		8.7 (3.9)
	80		15.0 (6.8)
	125		35.0 (15.9)
	150		35.0 (15.9)

SCHEMATIC



Reference purposes only.
Specifications are subject to change.
Consult factory to verify specifications.

RPM8000 Mechanical Dimensions

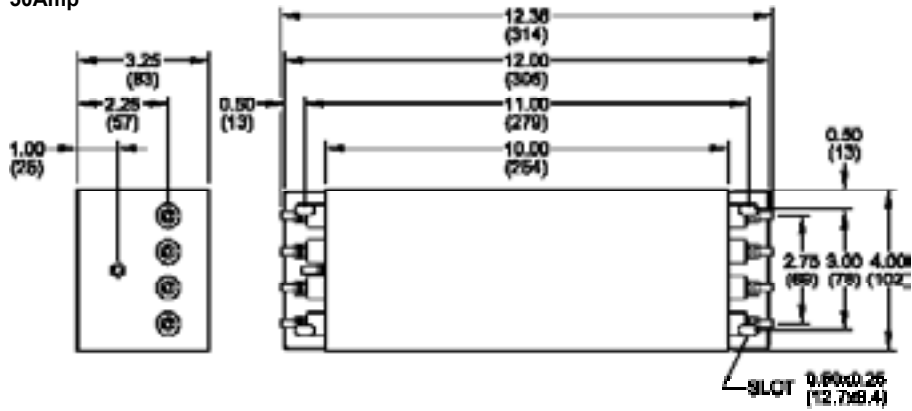


TYPICAL TOLERANCE: +/-0.02 (0.50)

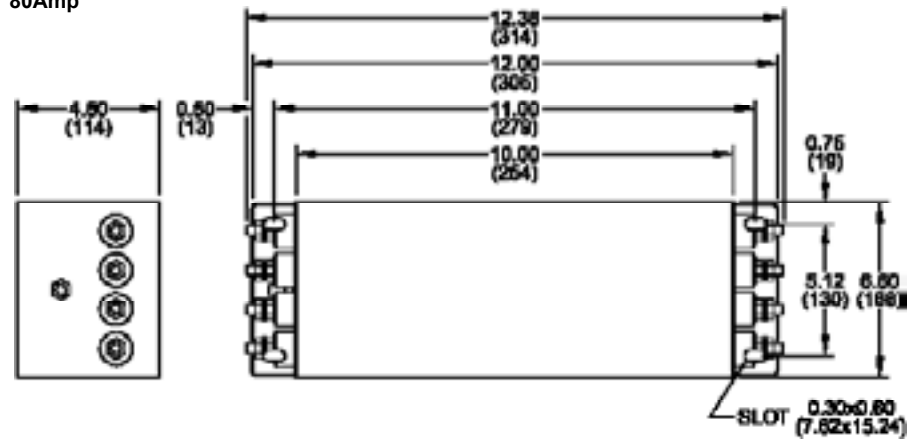
Reference purposes only.
Specifications are subject to change.
Consult factory to verify specifications.

RPM8000 Mechanical Dimensions

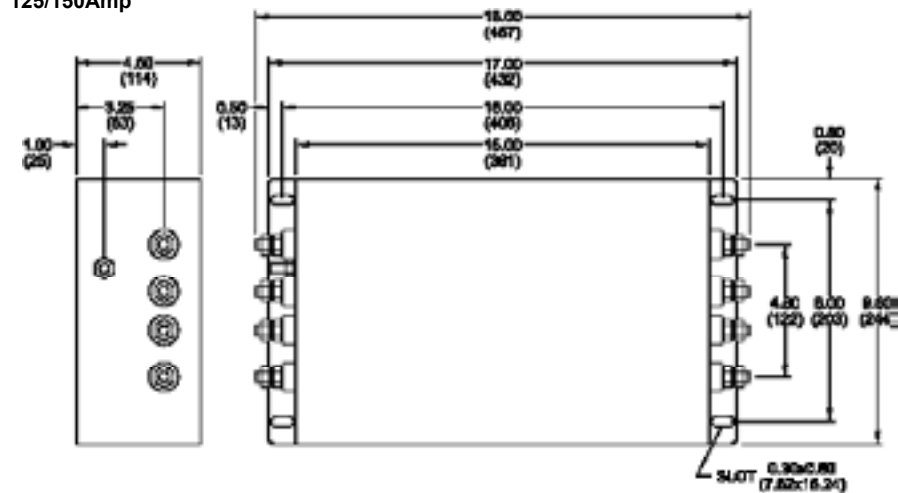
50Amp



80Amp



125/150Amp



TYPICAL TOLERANCE: +/-0.02 (0.50)

Reference purposes only.
Specifications are subject to change.
Consult factory to verify specifications.