

**RPM6200 Series**

**MIL/COTS DC EMI Power Line Filter**

**RPM6200  
MILITARY/ COTS TO 60A  
NON-GROUNDED RETURNS  
MIL-STD-461/ DO-160**



**SPECIFICATIONS**

|   |   |
|---|---|
| Operating Freq.   | : DC  |
| Max. Operating Voltage  | : 400VDC  |
| Ambient Temperature   | : -40 to 70C  |
| Hipot Rating (L-G)  | : 1800VDC   |
| Terminals (-T)  | : S: 5/10/20/30A (M5)<br>50/60A (M6)                          |
| Applications  | : Mil-461/ DO-160 (2<br>Line systems w/ non-<br>ground return |
| Call for other termination types (e.g. Circular Mil-Connectors, etc.) |   |

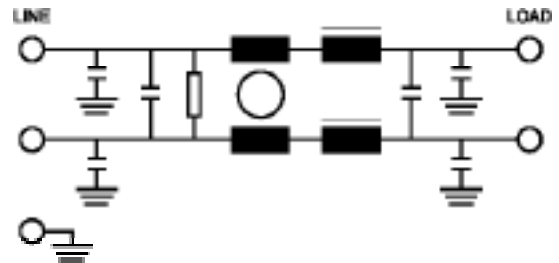
**TYPICAL INSERTION LOSS, dB  
(50/50ohm)**

| FREQ (MHz) | .01 | .15 | .5 | 1  | 10 | 30 |
|------------|-----|-----|----|----|----|----|
| CM(dB)     | 22  | 45  | 60 | 60 | 55 | 50 |
| DM(dB)     | 22  | 42  | 60 | 60 | 40 | 30 |

**PART NUMBER/ ORDERING**

| RPM6200 | -X<br>(Amps) | -T | Weight<br>LBS (KG)<br>Typ. |
|---------|--------------|----|----------------------------|
|         | 5            | S  | 1.0 (0.4)                  |
|         | 10           |    | 1.0 (0.4)                  |
|         | 20           |    | 2.7 (1.2)                  |
|         | 30           |    | 2.7 (1.2)                  |
|         | 50           |    | 6.0 (2.8)                  |
|         | 60           |    | 8.5 (3.9)                  |

**SCHEMATIC**

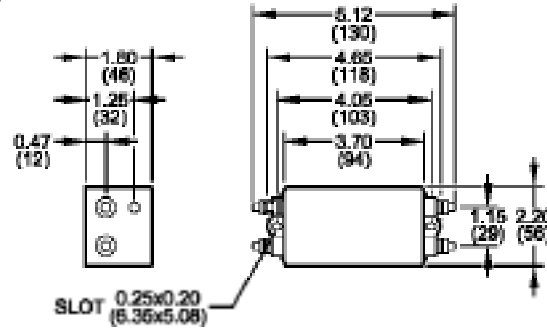


Reference purposes only.  
Specifications are subject to change.  
Consult factory to verify specifications.

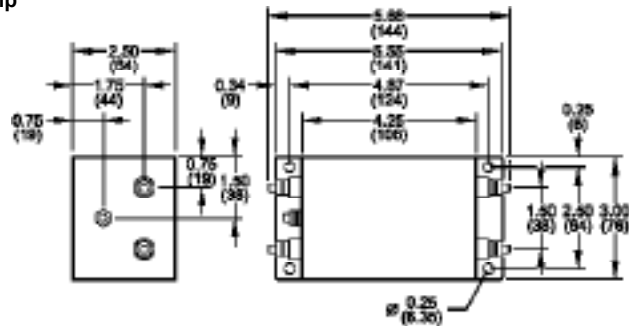
## RPM6200

### Mechanical Dimensions

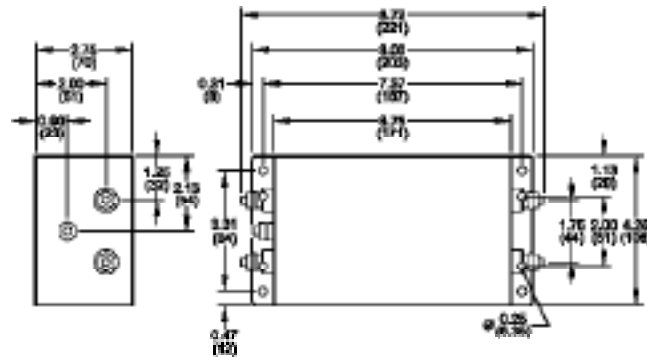
5/10Amp



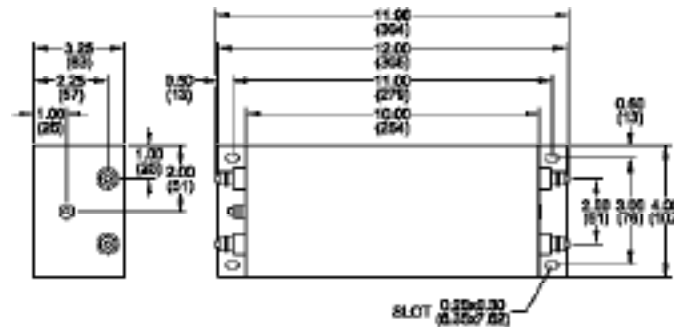
20/30Amp



50Amp



60Amp



TYPICAL TOLERANCE: +/-0.02 (0.50)

Reference purposes only.  
 Specifications are subject to change.  
 Consult factory to verify specifications.