

RPM6000 Series

MIL/COTS DC EMI Power Line Filter

**RPM6000
MILITARY/ COTS TO 60A
NON-GRND & GRND RETURNS
MIL-STD-461/ DO-160**



SPECIFICATIONS

Operating Freq.	: DC
Max. Operating Voltage	: 400VDC
Ambient Temperature	: -40 to 70C
Hipot Rating (L-G)	: 1800VDC
Terminals (-T)	: S: 5/10/20/30A (M5) 50/60A (M6)
Applications	: Mil-461/ DO-160 (2 Line systems w/ non- ground and ground return
Call for other termination types (e.g. Circular Mil-Connectors, etc.)	

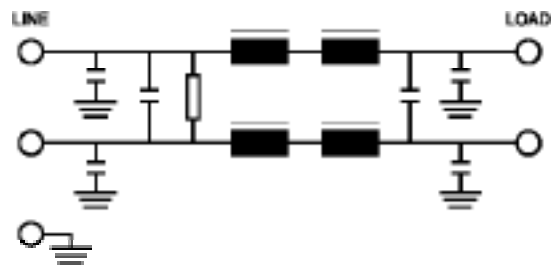
**TYPICAL INSERTION LOSS, dB
(50/50ohm)**

FREQ (MHz)	.01	.15	.5	1	10	30
CM(dB)	22	38	45	50	40	35
DM(dB)	28	48	52	50	45	30

PART NUMBER/ ORDERING

RPM6000	-X (Amps)	-T	Weight LBS (KG) Typ.
	5	S	1.0 (0.4)
	10		1.0 (0.4)
	20		2.7 (1.2)
	30		2.7 (1.2)
	50		6.0 (2.7)
	60		8.5 (3.9)

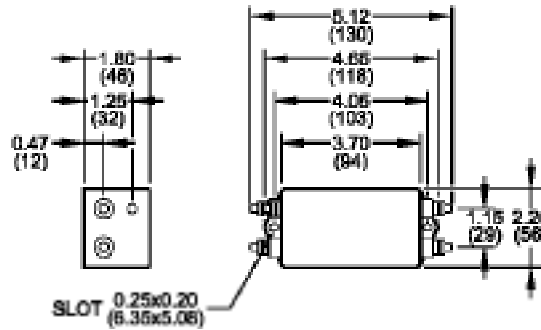
SCHEMATIC



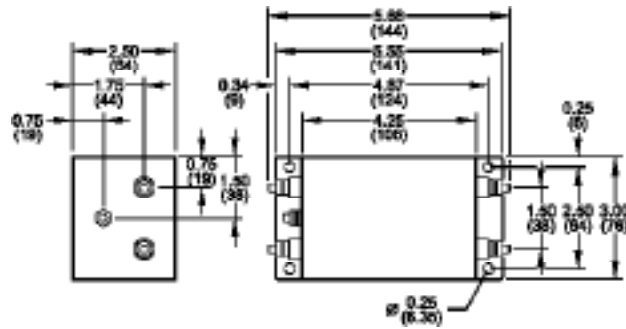
Reference purposes only.
Specifications are subject to change.
Consult factory to verify specifications.

RPM6000 Mechanical Dimensions

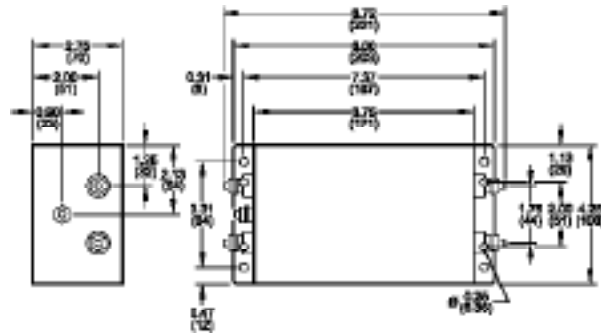
5/10Amp



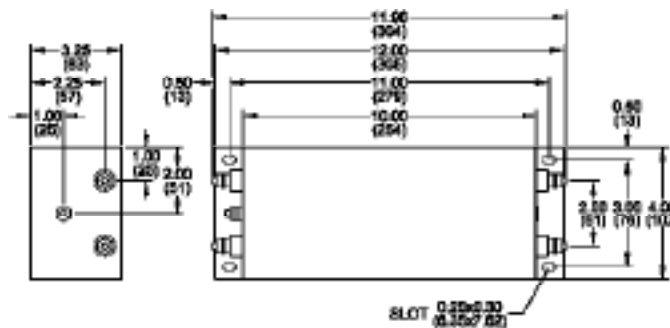
20/30Amp



50Amp



60Amp



TYPICAL TOLERANCE: +/-0.02 (0.50)

Reference purposes only.
 Specifications are subject to change.
 Consult factory to verify specifications.