



**RPC1299-30**

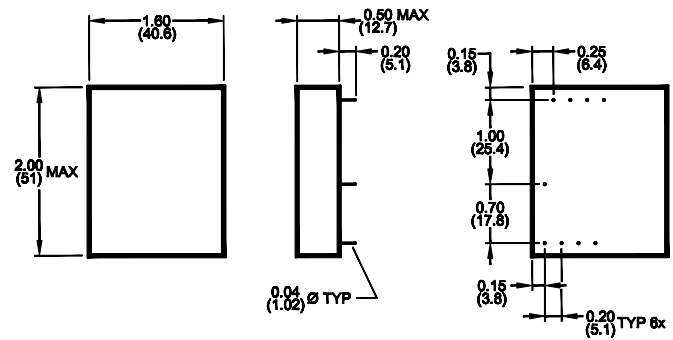
**30 Amp Dual Stage PCB DC Power Line Filter**

**RPC1299-30  
HIGH CURRENT/HIGH  
PERFORMANCE COMPACT PCB DC  
FILTER FOR -48VDC  
TELECOM/DC-DC  
CONVERTERS AND RELATED  
APPLICATIONS**



**ROHS COMPLIANT**

**MECHANICAL**



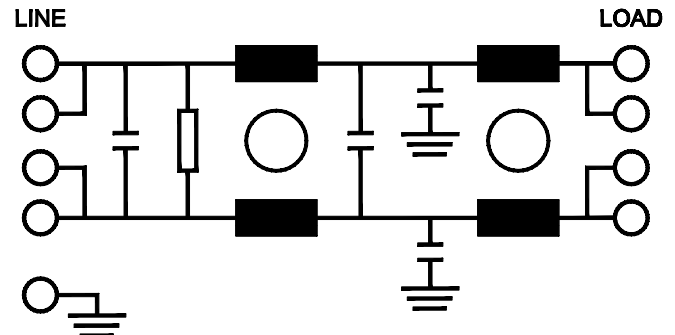
TYPICAL TOLERANCE: +/-0.02 (0.50)

**SPECIFICATIONS**

|                        |                       |
|------------------------|-----------------------|
| Operating Freq.        | : DC                  |
| Max. Operating Voltage | : 75VDC               |
| Operating Current      | : 30ADC               |
| Case Temperature       | : -40C to 100C        |
| Storage Temperature    | : -55C to 125C        |
| DC Resistance/Line     | 1.25mohm Typ          |
| Hipot Rating (L-G)     | : 2500VDC             |
| Safety Approvals       | : cURus(6950)/EN60950 |
| Typ. Weight, LBS (KG)  | 0.2 (0.1)             |

\*Note: Not recommended for high pressure cleaning environment.

**SCHEMATIC**



**TYPICAL INSERTION LOSS, dB  
(50/50ohm)**

| FREQ (MHz) | .15 | .5 | 1.0 | 10 | 30 |
|------------|-----|----|-----|----|----|
| CM(dB)     | 12  | 30 | 42  | 55 | 45 |
| DM(dB)     | 10  | 32 | 44  | 50 | 60 |

[www.radiuspower.com](http://www.radiuspower.com)

Reference purposes only.  
Specifications are subject to change.  
Consult factory to verify specifications.

Engineering Assistance: [engg@radiuspower.com](mailto:engg@radiuspower.com)  
Sales: [sales@radiuspower.com](mailto:sales@radiuspower.com)