



**RPC1299-30**

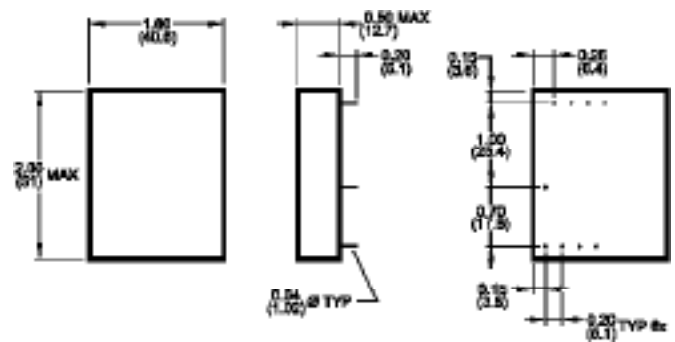
**30 Amp Dual Stage PCB DC Power Line Filter**

**RPC1299-30  
HIGH CURRENT/HIGH  
PERFORMANCE COMPACT PCB DC  
FILTER FOR -48VDC  
TELECOM/DC-DC  
CONVERTERS AND RELATED  
APPLICATIONS**



**ROHS COMPLIANT**

**MECHANICAL**



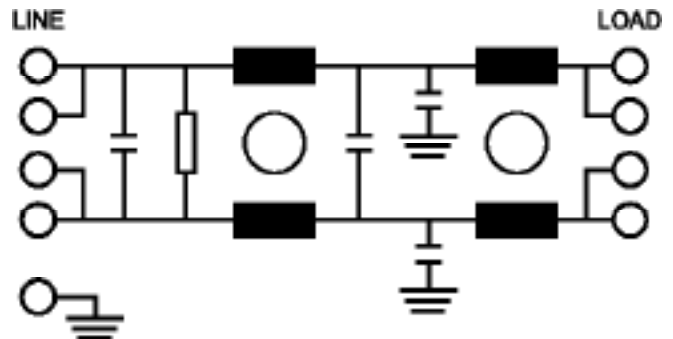
TYPICAL TOLERANCE: +/-0.02 (0.50)

**SPECIFICATIONS**

Operating Freq.	: DC
Max. Operating Voltage	: 75VDC
Operating Current	: 30ADC
Case Temperature	: -40C to 100C
Storage Temperature	: -55C to 125C
DC Resistance/Line	1.25mohm Typ
Hipot Rating (L-G)	: 2500VDC
Safety Approvals	: cURus(6950)/EN60950
Typ. Weight, LBS (KG)	0.2 (0.1)

\*Note: Not recommended for high pressure cleaning environment.

**SCHEMATIC**



**TYPICAL INSERTION LOSS, dB  
(50/50ohm)**

FREQ (MHz)	.15	.5	1.0	10	30
CM(dB)	12	30	42	55	45
DM(dB)	10	32	44	50	60

Reference purposes only.  
 Specifications are subject to change.  
 Consult factory to verify specifications.