

RPC1195

Dual Stage, WYE 480V Power Line Filter

**RPC1195
DUAL STAGE 20 TO 30A
WYE, 480V**

ROHS COMPLIANT

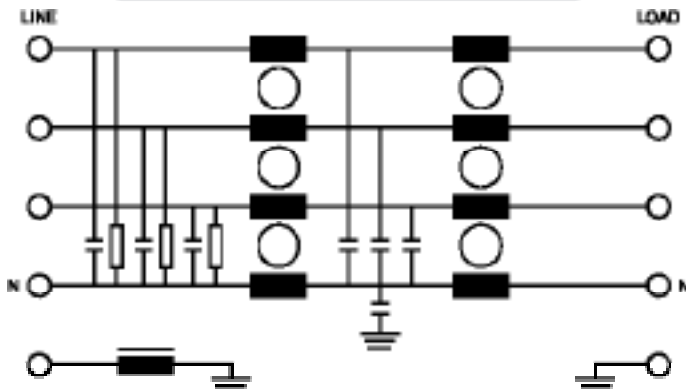
SPECIFICATIONS

| | |
|------------------------|--------------------|
| Operating Freq. | : 50/60Hz |
| Usable Freq. | : DC - 400Hz |
| Max. Operating Voltage | : 480VAC |
| Ambient Temperature | : -25 to 50C |
| Climatic Class | : 25/100/21 |
| Hipot Rating (L-G) | : 3500VDC |
| Terminals | : 10-32 Studs |
| Safety Approvals | : UR, CSA, EN60939 |
| Part Numbering | |
| RPC1195-20 | : 20A |
| RPC1195-30 | : 30A |
| Typ. Weight, LBS (KG) | : 3.5 (1.6) |

TYPICAL INSERTION LOSS, dB (50/50ohm)

| FREQ (MHz) | .15 | .5 | 1.0 | 10 | 30 |
|------------|-----|----|-----|----|----|
| CM(dB) | 32 | 50 | 60 | 42 | 30 |
| DM(dB) | 45 | 60 | 60 | 40 | 30 |

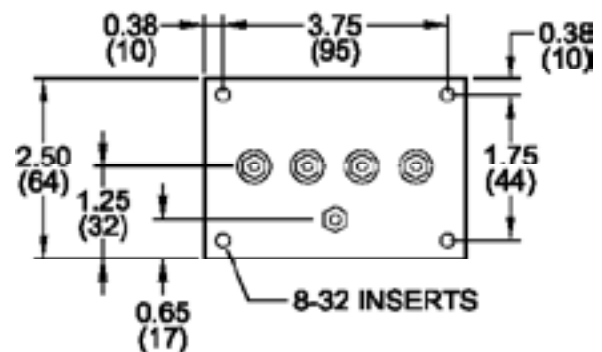
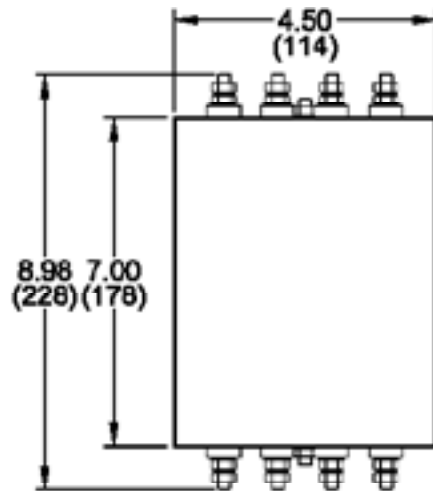
SCHEMATIC



Reference purposes only.
Specifications are subject to change.
Consult factory to verify specifications.



MECHANICAL



TYPICAL TOLERANCE: +/-0.02 (0.50)

www.radiuspower.com
www.astrodyne.com

Email: Emifiltercs@astrodyne.com