

RP500 Series

EMI/Harmonics Dual Stage Power Line Filter

RP500 EMI/HARMONICS AT 10A CHASSIS MOUNT FILTER

ROHS COMPLIANT



SPECIFICATIONS

Operating Freq.	: 50/60Hz
Usable Freq.	: DC - 400Hz
Max. Operating Voltage	: 250V +10%
Rated Current	: 10A
Ambient Temperature	: -25 to 40C
Climatic Category	: 25/100/21
Hipot Rating (L-G)	: 2700VDC
Terminals (-T)	: QD: 0.25 Tabs
Safety Approvals	: CSA, EN60939
Typ. Weight, LBS (KG)	: 3.1 (1.4)

LEAKAGE CURRENT

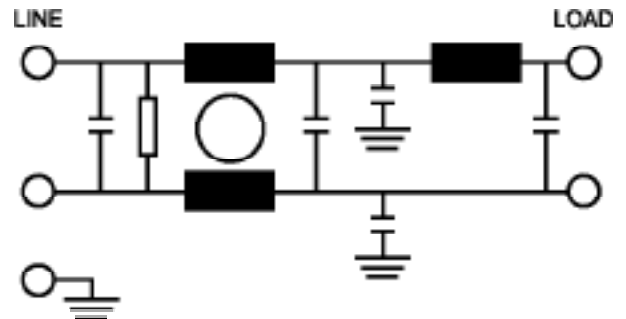
Y-cap, nF	mA, 120V/60Hz	mA, 250V/60Hz
0	0	0
.47	0.04	0.08
1	0.09	0.18
2.2	0.2	0.4
4.7	0.4	0.8
10	0.9	1.8

PART NUMBER/ ORDERING

RP500	-X (Amps)	-Y (Ycap, nF)	-T
	10	0	QD
		.47	
		1	
		2.2	
		4.7	
		10	

Note: Use any combination of -Y with any -X (Amps) rating
e.g. RP500-10-10-QD (10Amps with 10nF Ycap)

SCHEMATIC

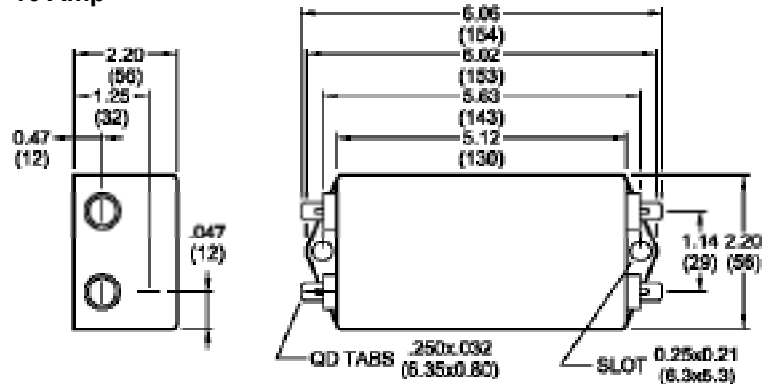


RP500

Typical Insertion Loss, dB (50/50ohm) Mechanical Dimensions

10 Amp					
FREQ (MHz)	.15	.5	1.0	10	30
CM(dB)	24	46	50	60	60
DM(dB)	25	40	60	65	65

10 Amp



TYPICAL TOLERANCE: +/-0.02 (0.50)

Reference purposes only.
 Specifications are subject to change.
 Consult factory to verify specifications.