

RP480 Series

600V, 3-Phase, WYE Power Line Filter

**RP480
3PHASE, WYE, 600V TO 300A**

ROHS COMPLIANT



SPECIFICATIONS

Operating Freq.	: 50/60Hz
Usable Freq	: DC-400Hz
Max. Operating Voltage	: 600V +10%
Ambient Temperature	: -25 to 50C
Climatic Category	: 25/100/21
Hipot Rating (L-G)	: 3800VDC
Terminals (-T)	: S: 15/30/50A (M5) 80/100A (M6) 150/200A (M10) 300A (M12)
Safety Approvals	: cURus, EN60939

LEAKAGE CURRENT

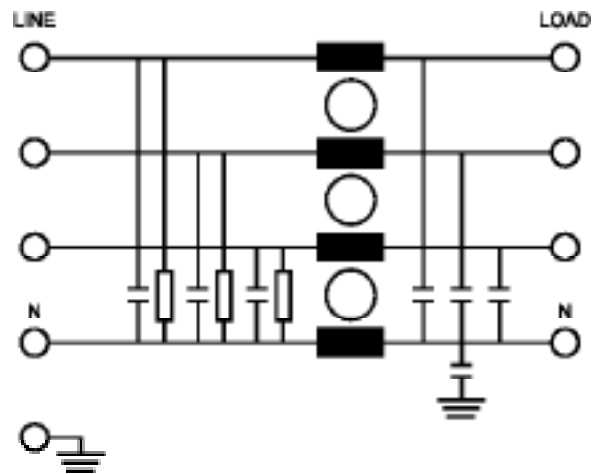
Y-cap, nF	mA, 600V/60Hz
0	0
10	0.15
100	1.5
1000	15
2000	25

PART NUMBER/ ORDERING

RP480	-X (Amps)	-Y (Ycap, nF)	-T	Weight LBS (KG) Typ.
	15	0	S	7.0 (3.2)
	30	10		7.0 (3.2)
	50	100		8.0 (3.6)
	80	1000		9.0 (4.1)
	100	2000		15.0 (6.8)
	150			17.0 (7.7)
	200			19.0 (8.6)
	300			30.0 (13.6)

Note: Use any combination of -Y with any -X (Amps) rating
e.g. RP480-100-100-S (100 Amps with 100nF Ycap)

SCHEMATIC



www.radiuspower.com
www.astrodyne.com

Email: Emifiltercs@astrodyne.com

Reference purposes only.
Specifications are subject to change.
Consult factory to verify specifications.

RP480

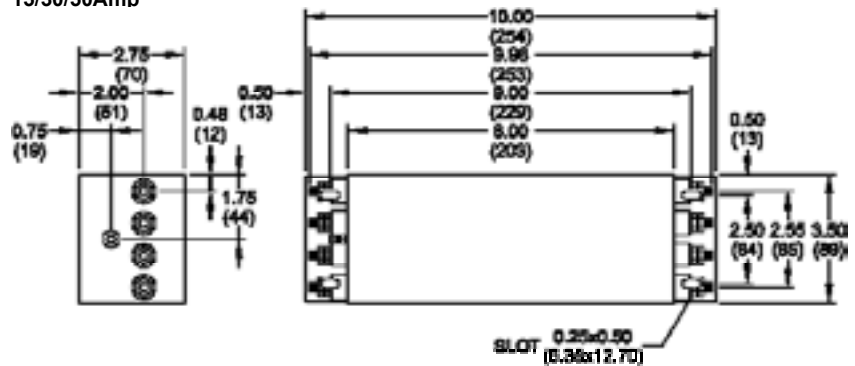
Typical Insertion Loss, dB (50/50ohm) Mechanical Dimensions

15/30 Amp					
FREQ (MHz)	.15	.5	1	10	30
CM (dB)	55	65	65	52	40
DM (dB)	55	65	70	70	60

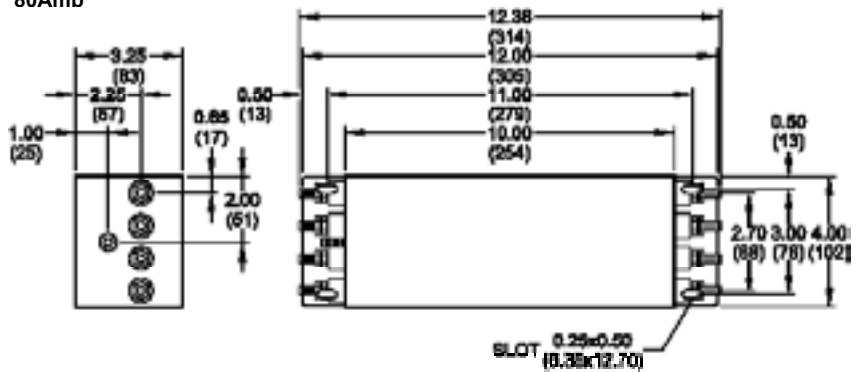
50 Amp					
FREQ (MHz)	.15	.5	1	10	30
CM (dB)	50	65	65	52	40
DM (dB)	50	60	65	70	55

80 Amp					
FREQ (MHz)	.15	.5	1	10	30
CM (dB)	45	55	55	50	40
DM (dB)	50	55	60	50	30

15/30/50Amp



80Amp



TYPICAL TOLERANCE: +/-0.02 (0.50)

Reference purposes only.
Specifications are subject to change.
Consult factory to verify specifications.

RP480

Typical Insertion Loss, dB (50/50ohm) Mechanical Dimensions

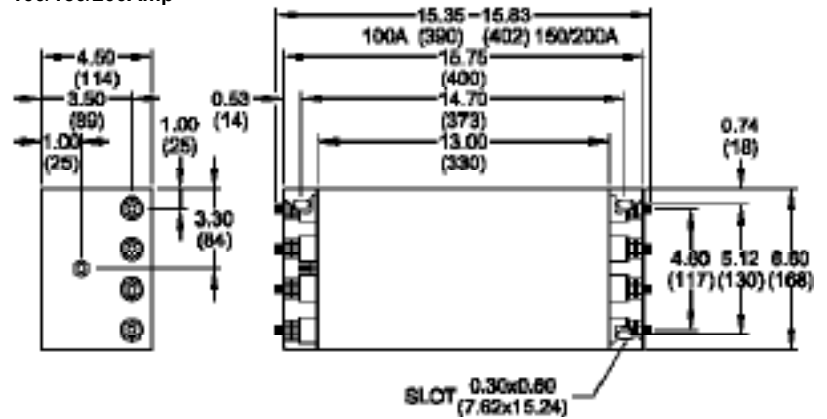
100 Amp					
FREQ (MHz)	.15	.5	1	10	30
CM (dB)	60	65	65	50	30
DM (dB)	50	60	60	50	30

150 Amp					
FREQ (MHz)	.15	.5	1	10	30
CM (dB)	55	60	60	50	30
DM (dB)	45	55	60	50	30

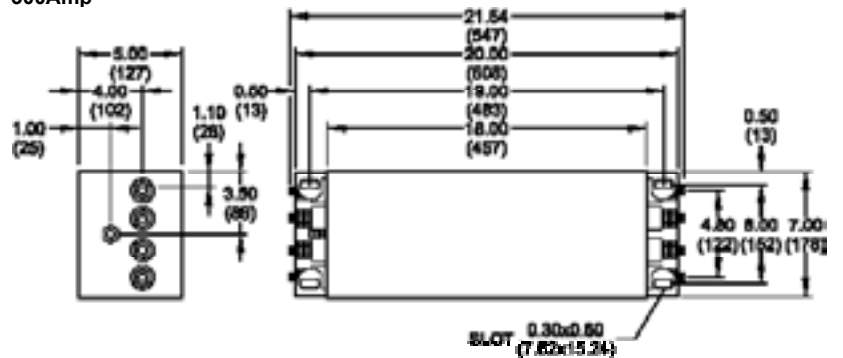
200 Amp					
FREQ (MHz)	.15	.5	1	10	30
CM (dB)	50	55	55	45	30
DM (dB)	45	55	55	50	30

300 Amp					
FREQ (MHz)	.15	.5	1	10	30
CM (dB)	50	55	55	42	30
DM (dB)	45	50	50	40	30

100/150/200Amp



300Amp



TYPICAL TOLERANCE: +/-0.02 (0.50)

Reference purposes only.
Specifications are subject to change.
Consult factory to verify specifications.