

**RP425 Series**

**3-Phase WYE Dual Stage Power Line Filter**

**RP425  
3PHASE WYE TO 300A**

**ROHS COMPLIANT**



**SPECIFICATIONS**

Operating Freq.	: 50/60Hz
Usable Freq.	: DC - 400Hz
Max. Operating Voltage	: 480V +10%
Ambient Temperature	: -25 to 50C
Climatic Category	: 25/100/21
Hipot Rating (L-G)	: 3500VDC
Terminals (-T)	: S: 15/30/50A (M5) 80/100A (M6) 150/200A (M10) 300A (M12)
Safety Approvals	: UR, CSA, EN60939

**LEAKAGE CURRENT**

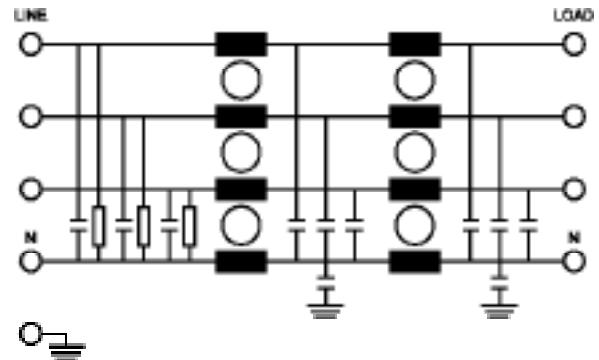
Y-cap, nF	mA, 480V/60Hz
0	0
10	0.1
100	1
1000	10
2000	20

**PART NUMBER/ ORDERING**

RP425	-X (Amps)	-Y (Ycap, nF)	-T	Weight LBS (KG) Typ.
	15	0	S	8.0 (3.6)
	30	10		8.0 (3.6)
	50	100		8.0 (3.6)
	80	1000		10.0 (4.5)
	100	2000		19.0 (8.6)
	150			19.0 (8.6)
	200			19.0 (8.6)
	300			35.0 (15.9)

**Note:** Use any combination of -Y with any -X (Amps) rating  
e.g. RP425-300-2000-S (300 Amps with 2000nF Ycap)

**SCHEMATIC**



Reference purposes only.  
Specifications are subject to change.  
Consult factory to verify specifications.

## RP425

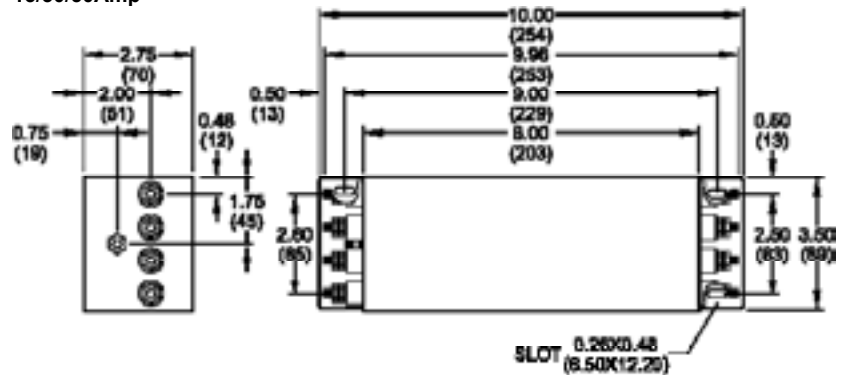
### Typical Insertion Loss, dB (50/50ohm) Mechanical Dimensions

15/30 Amp					
FREQ (MHz)	.15	.5	1	10	30
CM (dB)	65	75	75	58	40
DM (dB)	65	75	75	75	70

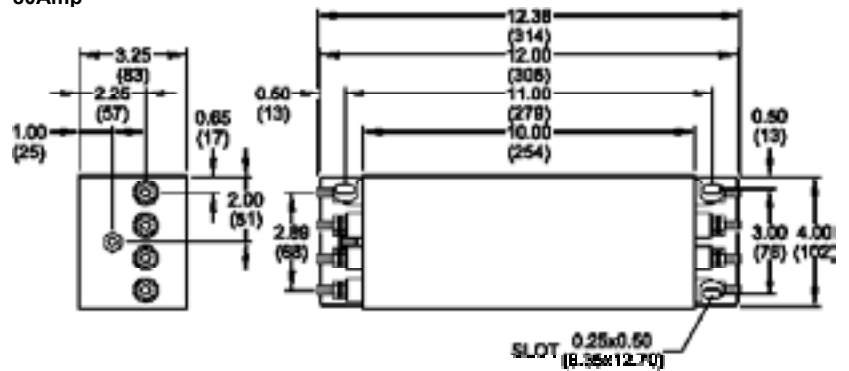
50 Amp					
FREQ (MHz)	.15	.5	1	10	30
CM (dB)	58	70	70	58	40
DM (dB)	60	70	75	70	60

80 Amp					
FREQ (MHz)	.15	.5	1	10	30
CM (dB)	54	65	65	55	40
DM (dB)	55	60	60	50	38

15/30/50Amp



80Amp



TYPICAL TOLERANCE: +/-0.02 (0.50)

Reference purposes only.  
Specifications are subject to change.  
Consult factory to verify specifications.

## RP425

### Typical Insertion Loss, dB (50/50ohm) Mechanical Dimensions

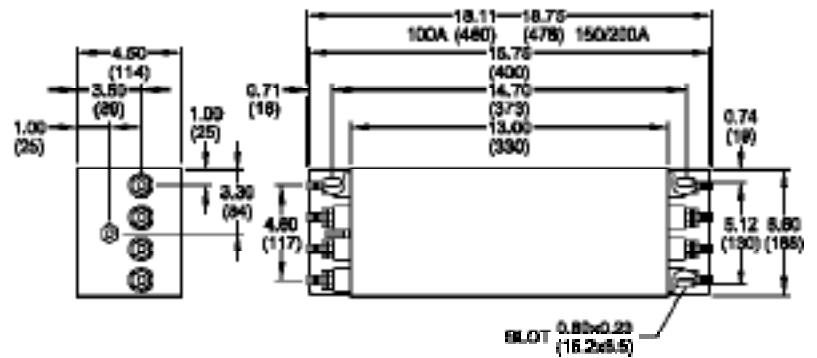
100 Amp					
FREQ (MHz)	.15	.5	1	10	30
CM (dB)	70	75	75	58	30
DM (dB)	55	70	70	60	30

150 Amp					
FREQ (MHz)	.15	.5	1	10	30
CM (dB)	65	70	70	55	30
DM (dB)	50	65	70	60	30

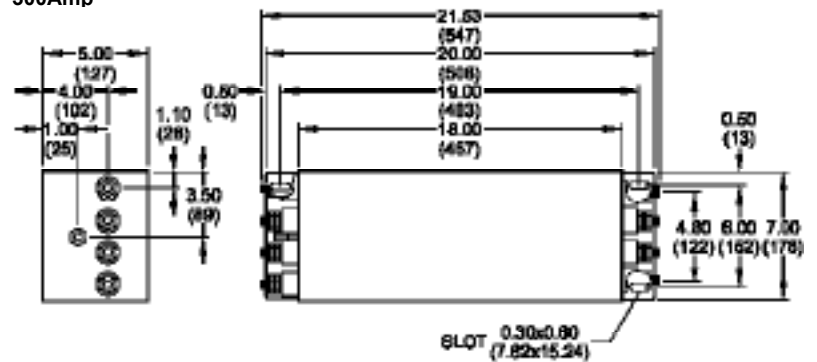
200 Amp					
FREQ (MHz)	.15	.5	1	10	30
CM (dB)	60	65	60	50	35
DM (dB)	55	60	65	60	30

300 Amp					
FREQ (MHz)	.15	.5	1	10	30
CM (dB)	60	65	60	48	40
DM (dB)	55	55	55	50	30

100/150/200Amp



300Amp



TYPICAL TOLERANCE: +/-0.02 (0.50)

Reference purposes only.  
Specifications are subject to change.  
Consult factory to verify specifications.