

**RP410HP Series**

**Ultra Compact 3-Phase Wye Single Stage Power Line Filter**

**RP410HP  
HIGH PERFORMANCE  
3PHASE WYE TO 20A  
CHASSIS MOUNT FILTER**

**ROHS COMPLIANT**



**SPECIFICATIONS**

Operating Freq.	: 50/60Hz
Usable Freq.	: DC - 400Hz
Max. Operating Voltage	: 480V +10%
Ambient Temperature	: -25 to 50C
Climatic Category	: 25/100/21
Hipot Rating (L-G)	: 3500VDC
Terminals (-T)	: QD: 0.25 Tabs
Safety Approvals	UR, CSA, EN60939
Typ. Weight, LBS (KG)	: 0.7 (0.3)

**LEAKAGE CURRENT**

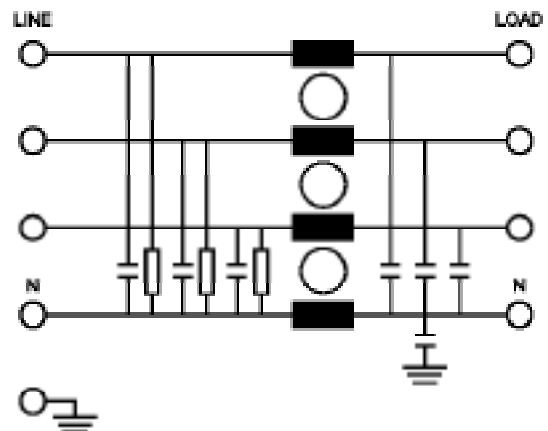
Y-cap, nF	mA, 480V/60Hz
0	0
10	0.1
22	0.2
100	1

**PART NUMBER/ ORDERING**

RP410HP	-X (Amps)	-Y (Ycap, nF)	-T
	6	0	QD
	10	10	
	20	22	

**Note:** Use any combination of -Y with any -X (Amps) rating  
e.g. RP410HP-20-22-QD (20 Amps with 22nF Ycap)

**SCHEMATIC**



Reference purposes only.  
Specifications are subject to change.  
Consult factory to verify specifications.

## RP410HP

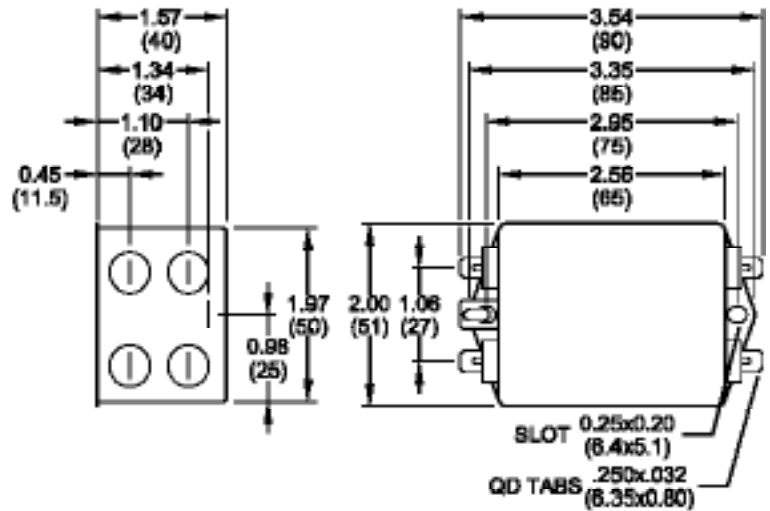
### Typical Insertion Loss, dB (50/50ohm)

### Mechanical Dimensions

6 Amp					
FREQ (MHz)	.15	.5	1	10	30
CM (dB)	52	75	80	80	70
DM (dB)	28	40	47	67	66

10 Amp					
FREQ (MHz)	.15	.5	1	10	30
CM (dB)	32	60	65	70	67
DM (dB)	32	38	44	66	62

20 Amp					
FREQ (MHz)	.15	.5	1	10	30
CM (dB)	20	38	60	70	75
DM (dB)	28	36	44	62	65



TYPICAL TOLERANCE: +/-0.02 (0.50)

Reference purposes only.  
Specifications are subject to change.  
Consult factory to verify specifications.