

RP400 Series

3-Phase Wye Single Stage Power Line Filter

RP400 3 PHASE WYE TO 300A

ROHS COMPLIANT

SPECIFICATIONS

Operating Freq.	: 50/60Hz
Usable Freq.	: DC - 400Hz
Max. Operating Voltage	: 480V +10%
Ambient Temperature	: -25 to 50C
Climatic Category	: 25/100/21
Hipot Rating (L-G)	: 3500VDC
Terminals (-T)	: S: 15 - 45A (M5) 60 - 100A (M6) 150/200A (M10) 300A (M12)
Safety Approvals	: cURus, EN60939



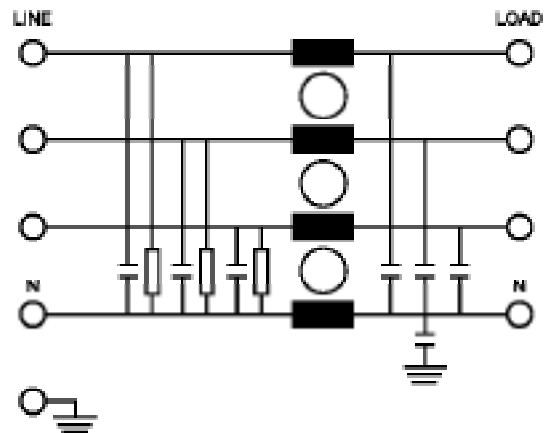
LEAKAGE CURRENT

Y-cap, nF	mA, 480V/60Hz
0	0
10	0.1
100	1
1000	10
2000	20

PART NUMBER/ ORDERING

RP400	-X (Amps)	-Y (Ycap, nF)	-T	Weight LBS (KG) Typ.
	15	0	S	2.5 (1.1)
	30	10		2.5 (1.1)
	35	100		2.5 (1.1)
	36	1000		2.5 (1.1)
	40	2000		3.2 (1.4)
	45			3.2 (1.4)
	60			5.0 (2.3)
	65			5.0 (2.3)
	100			11.0 (5.0)
	150			11.0 (5.0)
	200			18.0 (8.2)
	300			18.0 (8.2)

SCHEMATIC



Note: Use any combination of -Y with any -X (Amps) rating
e.g. RP400-60-100-S (60 Amps with 100nF Ycap)

Reference purposes only.
Specifications are subject to change.
Consult factory to verify specifications.

www.radiuspower.com
www.astrodyne.com

Email: Emifiltercs@astrodyne.com

RP400

Typical Insertion Loss, dB (50/50ohm)

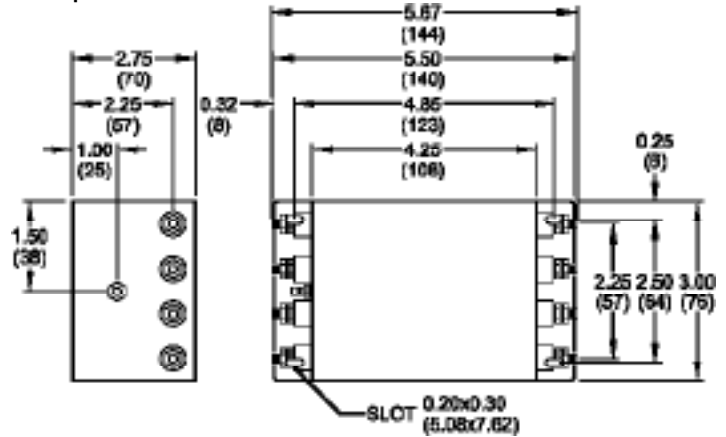
Mechanical Dimensions

15/30 Amp					
FREQ (MHz)	.15	.5	1	10	30
CM (dB)	60	70	70	55	50
DM (dB)	48	70	75	75	65

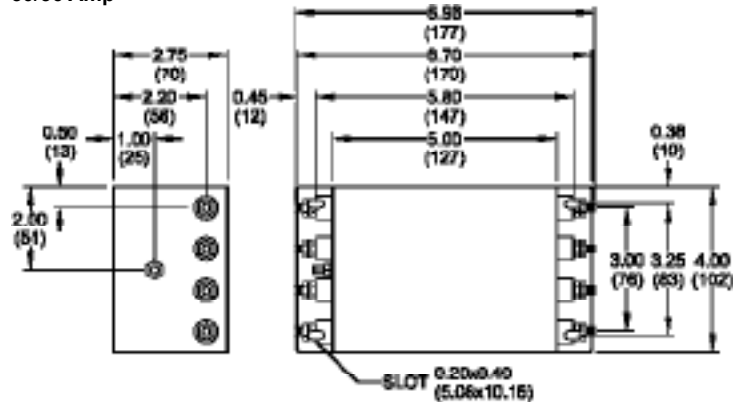
35 Amp					
FREQ (MHz)	.15	.5	1	10	30
CM (dB)	55	62	65	50	45
DM (dB)	36	55	60	60	50

36 Amp					
FREQ (MHz)	.15	.5	1	10	30
CM (dB)	58	68	70	55	50
DM (dB)	46	65	70	70	65

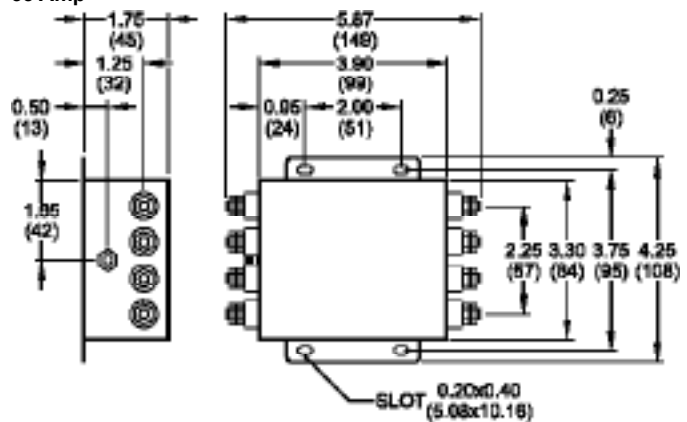
15 Amp



30/36 Amp



35 Amp



TYPICAL TOLERANCE: +/-0.02 (0.50)

Reference purposes only.
Specifications are subject to change.
Consult factory to verify specifications.

RP400

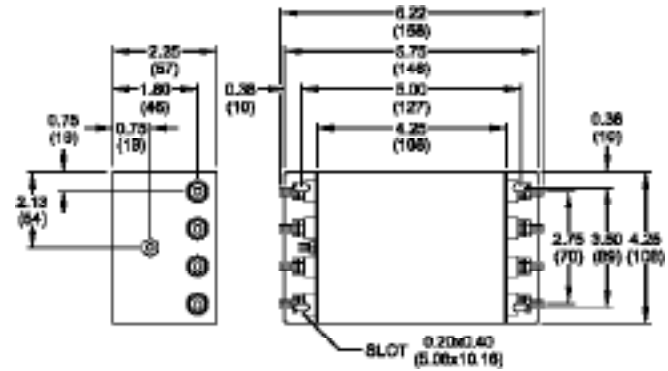
Typical Insertion Loss, dB (50/50ohm)

Mechanical Dimensions

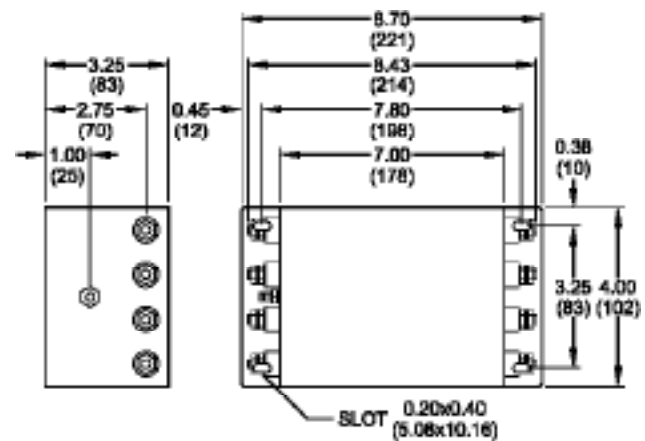
40/45 Amp					
FREQ (MHz)	.15	.5	1	10	30
CM (dB)	58	68	70	55	50
DM (dB)	46	65	70	70	65

60 Amp					
FREQ (MHz)	.15	.5	1	10	30
CM (dB)	57	65	70	55	50
DM (dB)	45	64	70	70	65

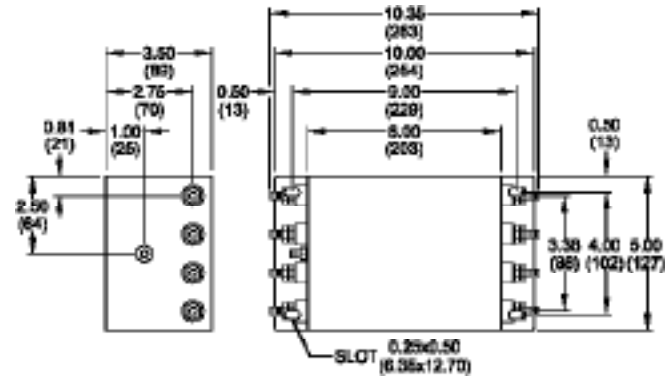
40 Amp



45 Amp



60 Amp



TYPICAL TOLERANCE: +/-0.02 (0.50)

Reference purposes only.
Specifications are subject to change.
Consult factory to verify specifications.

www.radiuspower.com
www.astrodyne.com

Email: Emifiltercs@astrodyne.com

RP400

Typical Insertion Loss, dB (50/50ohm)

Mechanical Dimensions

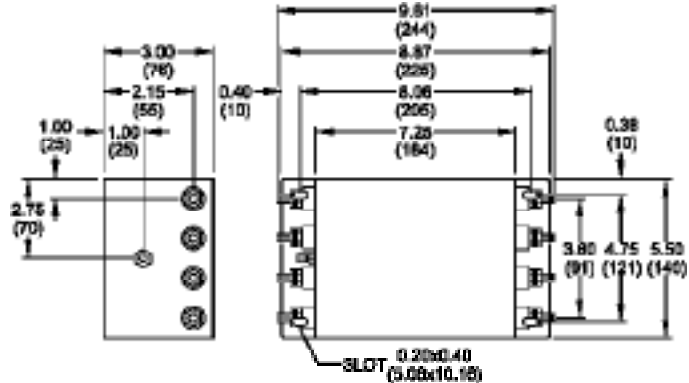
65 Amp					
FREQ (MHz)	.15	.5	1	10	30
CM (dB)	57	65	70	55	50
DM (dB)	45	64	70	70	65

100 Amp					
FREQ (MHz)	.15	.5	1	10	30
CM (dB)	65	70	70	60	50
DM (dB)	60	75	75	60	55

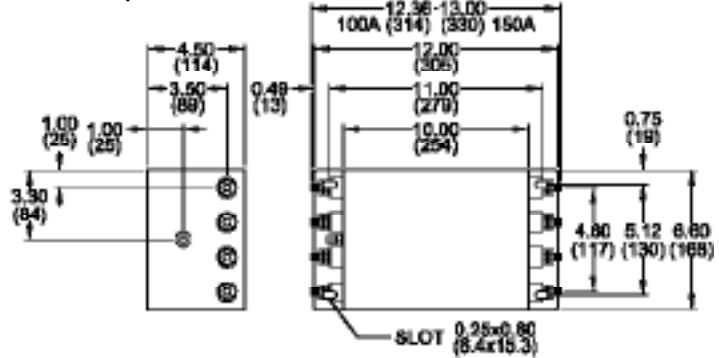
150 Amp					
FREQ (MHz)	.15	.5	1	10	30
CM (dB)	55	65	60	48	40
DM (dB)	50	75	70	45	45

200/300 Amp					
FREQ (MHz)	.15	.5	1	10	30
CM (dB)	50	50	50	45	40
DM (dB)	50	45	45	40	30

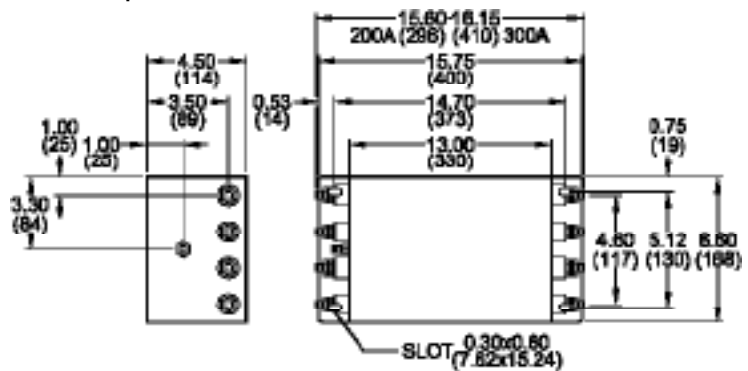
65 Amp



100/150 Amp



200/300 Amp



TYPICAL TOLERANCE: +/-0.02 (0.50)

Reference purposes only.
Specifications are subject to change.
Consult factory to verify specifications.