

RP380 Series

600V, 3 Phase, Delta Power Line Filter

**RP380
3PHASE, DELTA TO 300A
600V**

ROHS COMPLIANT



SPECIFICATIONS

Operating Freq.	: 50/60Hz
Usable Freq.	: DC-400Hz
Max. Operating Voltage	: 600V +10%
Ambient Temperature	: -25 to 50C
Climatic Category	: 25/100/21
Hipot Rating (L-G)	: 3800VDC
Terminals (-T)	: S: 15/30/50A (M5) 80/100A (M6) 150/200A (M10) 300A (M12)
Safety Approvals	: cURus, EN60939

LEAKAGE CURRENT

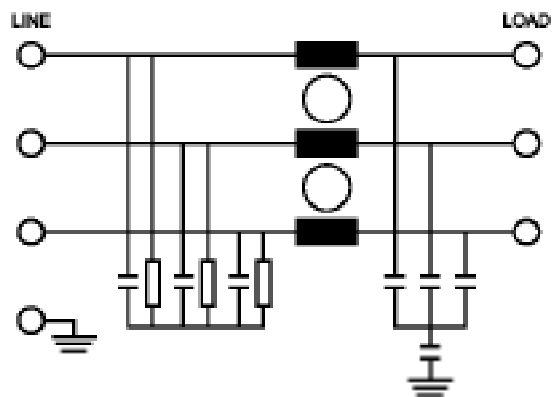
Y-cap, nF	mA, 600V/60Hz
0	0
10	0.15
100	1.5
1000	15
2000	25

PART NUMBER/ ORDERING

RP380	-X (Amps)	-Y (Ycap, nF)	-T	Weight LBS (KG) Typ.
	15	0	S	5.0 (2.3)
	30	10		5.0 (2.3)
	50	100		5.0 (2.3)
	80	1000		9.0 (4.1)
	100	2000		18.0 (8.2)
	150			18.0 (8.2)
	200			18.0 (8.2)
	300			35.0 (16.0)

Note: Use any combination of -Y with any -X (Amps) rating
e.g. RP380-100-100-S (100 Amps with 100nF Ycap)

SCHEMATIC



Reference purposes only.
Specifications are subject to change.
Consult factory to verify specifications.

RP380

Typical Insertion Loss, dB (50/50ohm) Mechanical Dimensions

15/30 Amp					
FREQ (MHz)	.15	.5	1	10	30
CM (dB)	55	65	65	52	40
DM (dB)	55	65	70	70	60

50 Amp					
FREQ (MHz)	.15	.5	1	10	30
CM (dB)	50	65	65	52	40
DM (dB)	50	60	65	70	55

80 Amp					
FREQ (MHz)	.15	.5	1	10	30
CM (dB)	45	55	55	50	40
DM (dB)	50	55	60	50	30

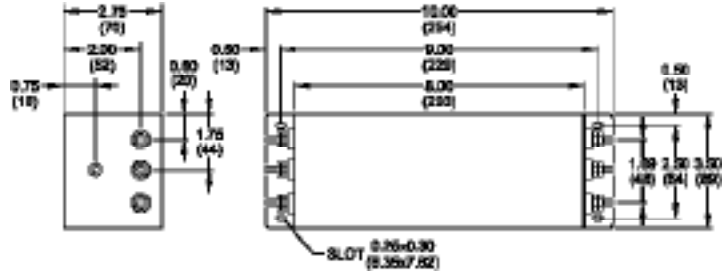
100 Amp					
FREQ (MHz)	.15	.5	1	10	30
CM (dB)	60	65	65	50	30
DM (dB)	50	60	60	50	30

150 Amp					
FREQ (MHz)	.15	.5	1	10	30
CM (dB)	55	60	60	50	30
DM (dB)	45	55	60	50	30

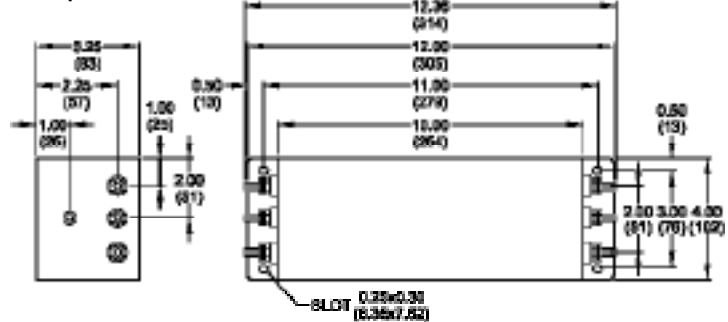
200 Amp					
FREQ (MHz)	.15	.5	1	10	30
CM (dB)	50	55	55	45	30
DM (dB)	45	55	55	50	30

300 Amp					
FREQ (MHz)	.15	.5	1	10	30
CM (dB)	50	55	55	42	30
DM (dB)	45	50	50	40	30

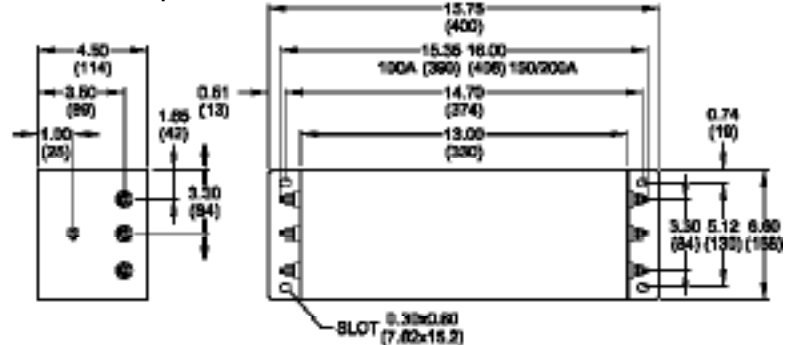
15/30/50Amp



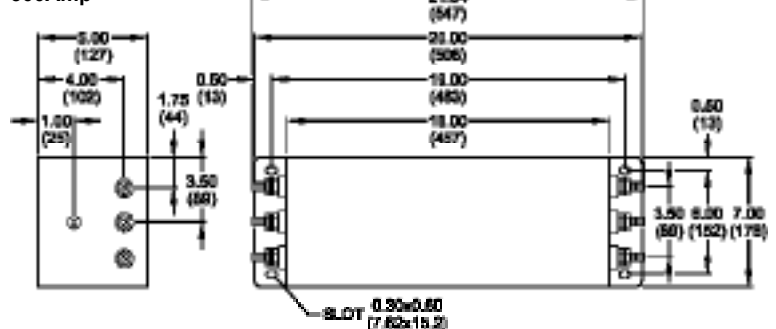
80Amp



100/150/200Amp



300Amp



TYPICAL TOLERANCE: +/-0.02 (0.50)

Reference purposes only.
 Specifications are subject to change.
 Consult factory to verify specifications.