

## RP370 Series

## 3-Phase Delta Compact High Current EMI Power Line Filter

**RP370  
3PHASE DELTA WITH BUSBARS  
250A - 1000A  
INVERTER APPLICATIONS**

**ROHS COMPLIANT**



### SPECIFICATIONS

Operating Freq.	: 50/60Hz
Usable Freq.	: DC - 400Hz
Max. Operating Voltage	: 480V +10%
Ambient Temperature	: -25 to 50C
Climatic Category	: 25/100/21
Hipot Rating (L-G)	: 3500VDC
Terminals (-T)	: B: 250A (3x20) 320/400A (6x25) 600A (8x25) 800/1000A (8x40)
Safety Approvals	: cURus, EN60939

### LEAKAGE CURRENT

Y-cap, nF	mA, 480V/60Hz
0	0
10	0.1
100	1
1000	10
2000	20

### TYPICAL INSERTION LOSS, dB (50/50ohm)

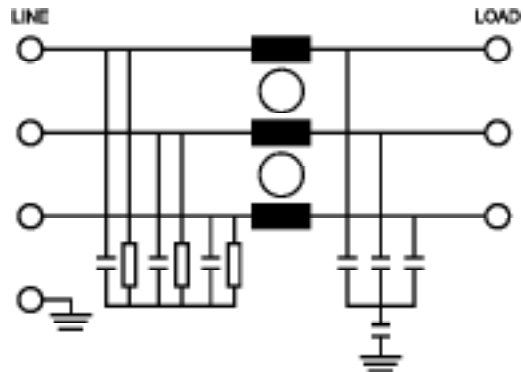
FREQ (MHz)	.15	.5	1.0	10	30
CM(dB)	66	66	66	40	24
DM(dB)	40	60	45	30	28

### PART NUMBER/ ORDERING

RP370	-X (Amps)	-Y (Ycap, nF)	-T	Weight LBS (KG) Typ.
	250	0	B	12.0 (5.4)
	320	10		12.0 (5.4)
	400	100		17.0 (7.7)
	600	1000		17.0 (7.7)
	800	2000		30.0 (13.6)
	1000			30.0 (13.6)

**Note:** Use any combination of -Y with any -X (Amps) rating  
e.g. RP370-600-100-B (600 Amps with 100nF Ycap)

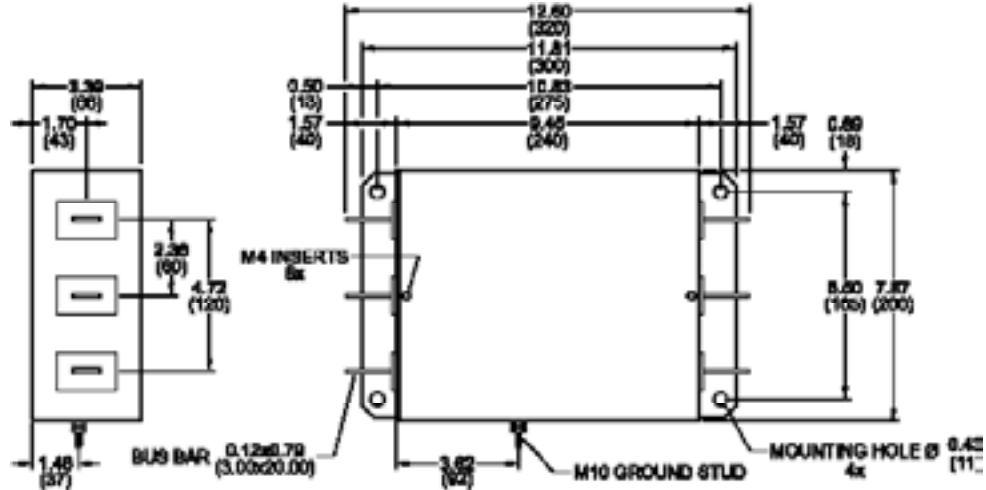
### SCHEMATIC



Reference purposes only.  
Specifications are subject to change.  
Consult factory to verify specifications.

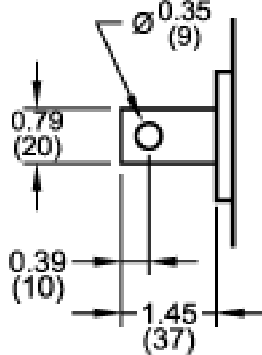
**RP370 Series  
Mechanical Dimensions**

**250/320/400/600A**



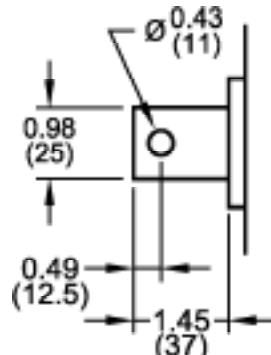
TYPICAL TOLERANCE: +/-0.02 (0.50)

**250A Busbar Detail**



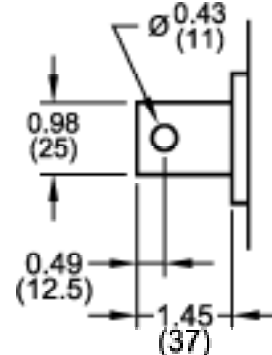
**Busbar: (3X20)**

**320/400A Busbar Detail**



**Busbar: (6x25)**

**600A Busbar Detail**

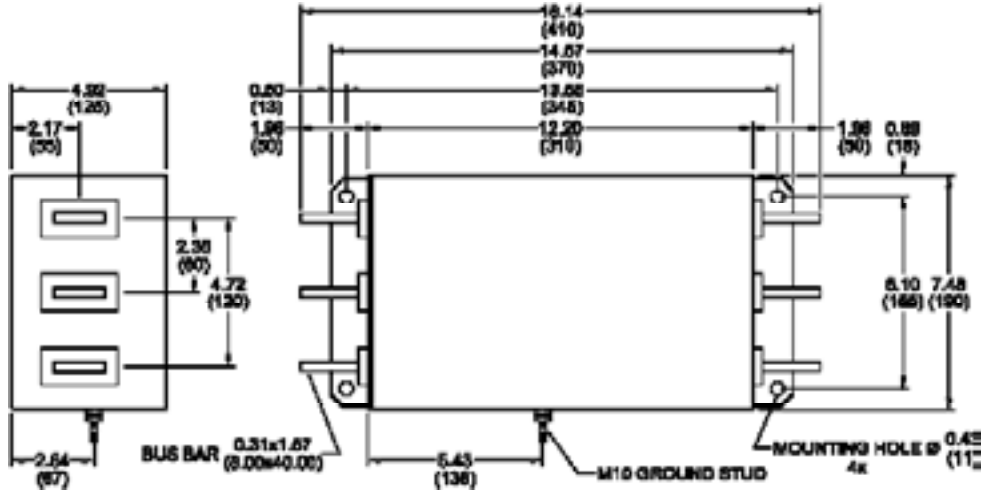


**Busbar: (8x25)**

Reference purposes only.  
Specifications are subject to change.  
Consult factory to verify specifications.

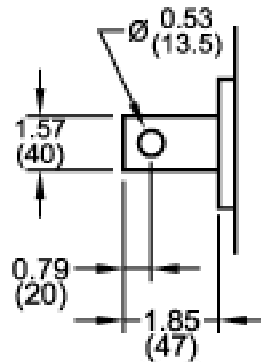
**RP370 Series  
Mechanical Dimensions**

**800/1000A**



TYPICAL TOLERANCE: +/-0.02 (0.50)

**800/1000A Busbar Detail**



**Busbar: (8x40)**

Reference purposes only.  
Specifications are subject to change.  
Consult factory to verify specifications.