



RP360 Series - Medical Grade

3-Phase Delta Single Stage Power Line Filter

**RP360
COMPACT MEDICAL GRADE
FILTER 3PHASE DELTA TO 60A**

ROHS COMPLIANT



SPECIFICATIONS

Operating Freq.	: 50/60Hz
Usable Freq.	: DC - 400Hz
Max. Operating Voltage	: 480V +10%
Ambient Temperature	: -25 to 50C
Climatic Category	: 25/100/21
Hipot Rating (L-G)	: 3500VDC
Terminals (-T)	: S: M5
Safety Approvals	: UR, CSA, EN60939
Typ. Weight, LBS (KG)	: 3.0 (1.4)

LEAKAGE CURRENT

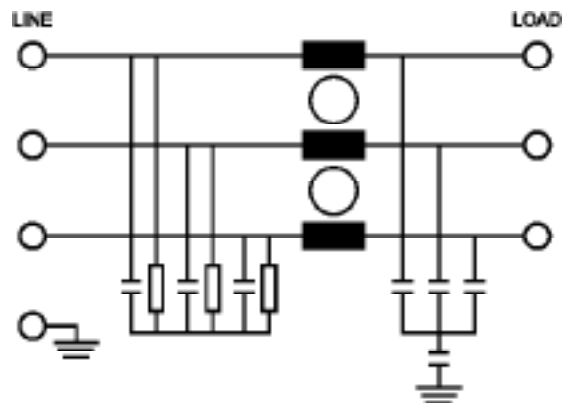
Y-cap, nF	mA, 480V/60Hz
0	0
4.7	0.05
10	0.1
22	0.2

PART NUMBER/ ORDERING

RP360	-X (Amps)	-Y (Ycap, nF)	-T
	20	0	S
	40	4.7	
	60	10	
		22	

Note: Use any combination of -Y with any -X (Amps) rating
e.g. RP360-40-10-S (40 Amps with 10nF Ycap)

SCHEMATIC



Reference purposes only.
Specifications are subject to change.
Consult factory to verify specifications.



RP360

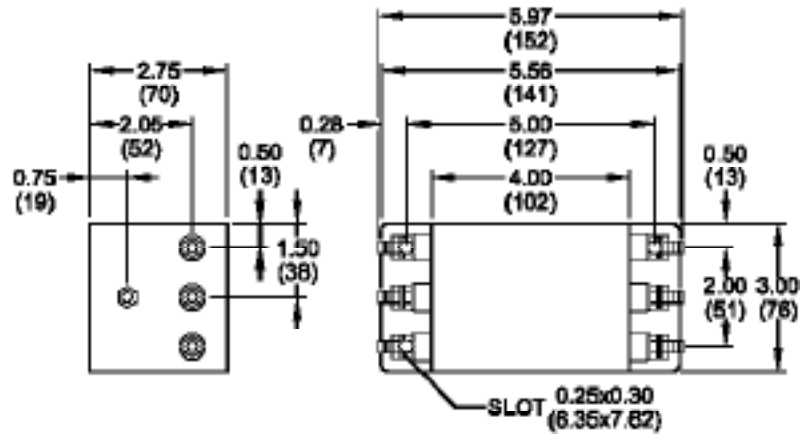
Typical Insertion Loss, dB (50/50ohm)

Mechanical Dimensions

20 Amp					
FREQ (MHz)	.15	.5	1	10	30
CM (dB)	45	55	55	50	40
DM (dB)	46	70	70	70	60

40 Amp					
FREQ (MHz)	.15	.5	1	10	30
CM (dB)	36	48	52	50	40
DM (dB)	40	65	70	65	60

60 Amp					
FREQ (MHz)	.15	.5	1	10	30
CM (dB)	35	48	50	50	42
DM (dB)	36	58	60	62	55



TYPICAL TOLERANCE: +/-0.02 (0.50)

Reference purposes only.
 Specifications are subject to change.
 Consult factory to verify specifications.