

**RP360 Series**

**3-Phase Delta Single Stage Power Line Filter**

**RP360  
3PHASE DELTA TO 60A  
COMPACT CHASSIS**

**ROHS COMPLIANT**



**SPECIFICATIONS**

|                        |                    |
|------------------------|--------------------|
| Operating Freq.        | : 50/60Hz          |
| Usable Freq.           | : DC - 400Hz       |
| Max. Operating Voltage | : 480V +10%        |
| Ambient Temperature    | : -25 to 50C       |
| Climatic Category      | : 25/100/21        |
| Hipot Rating (L-G)     | : 3500VDC          |
| Terminals (-T)         | : S: M5            |
| Safety Approvals       | : UR, CSA, EN60939 |
| Typ. Weight, LBS (KG)  | : 3.0 (1.4)        |

**LEAKAGE CURRENT**

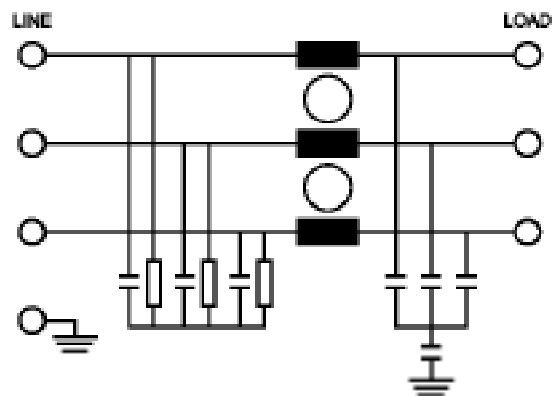
| Y-cap, nF | mA,<br>480V/60Hz |
|-----------|------------------|
| 0         | 0                |
| 10        | 0.1              |
| 100       | 1                |

**PART NUMBER/ ORDERING**

| RP360 | -X<br>(Amps) | -Y<br>(Ycap, nF) | -T |
|-------|--------------|------------------|----|
|       | 20           | 0                | S  |
|       | 40           | 10               |    |
|       | 60           | 100              |    |

**Note:** Use any combination of -Y with any -X (Amps) rating  
e.g. RP360-40-10-S (40 Amps with 10nF Ycap)

**SCHEMATIC**



## RP360

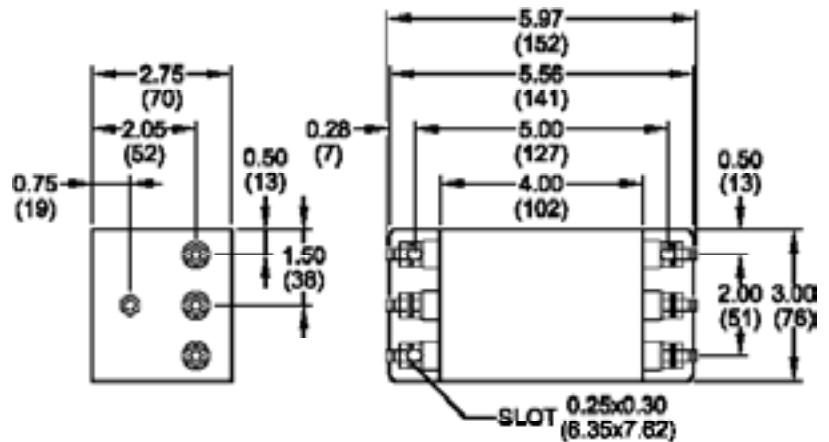
Typical Insertion Loss, dB (50/50ohm)

Mechanical Dimensions

| 20 Amp     |     |    |    |    |    |
|------------|-----|----|----|----|----|
| FREQ (MHz) | .15 | .5 | 1  | 10 | 30 |
| CM (dB)    | 45  | 55 | 55 | 50 | 40 |
| DM (dB)    | 46  | 70 | 70 | 70 | 60 |

| 40 Amp     |     |    |    |    |    |
|------------|-----|----|----|----|----|
| FREQ (MHz) | .15 | .5 | 1  | 10 | 30 |
| CM (dB)    | 36  | 48 | 52 | 50 | 40 |
| DM (dB)    | 40  | 65 | 70 | 65 | 60 |

| 60 Amp     |     |    |    |    |    |
|------------|-----|----|----|----|----|
| FREQ (MHz) | .15 | .5 | 1  | 10 | 30 |
| CM (dB)    | 35  | 48 | 50 | 50 | 42 |
| DM (dB)    | 36  | 58 | 60 | 62 | 55 |



TYPICAL TOLERANCE: +/-0.02 (0.50)

Reference purposes only.  
 Specifications are subject to change.  
 Consult factory to verify specifications.