

## RP350 Series

## 3-Phase Delta Single Stage Power Line Filter

### RP350 3PHASE DELTA TO 100A COMPACT CHASSIS

ROHS COMPLIANT



### SPECIFICATIONS

Operating Freq.	: 50/60Hz
Usable Freq.	: DC - 400Hz
Max. Operating Voltage	: 480V +10%
Ambient Temperature	: -25 to 50C
Climatic Category	: 25/100/21
Hipot Rating (L-G)	: 3500VDC
Terminals (-T)	: S: 20/40/60A (M5) 80/100A (M6)
Safety Approvals	: UR, CSA, EN60939
Typ. Weight, LBS (KG)	: 5.0 (2.3)

### LEAKAGE CURRENT

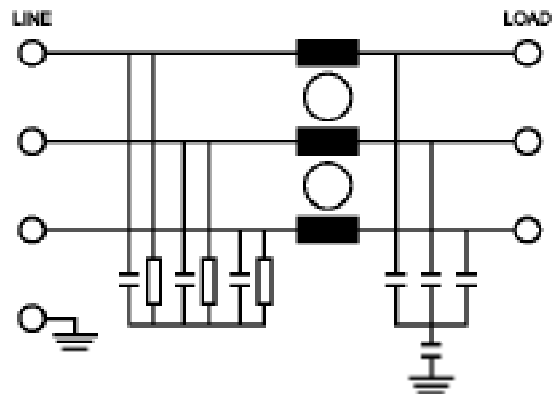
Y-cap, nF	mA, 480V/60Hz
0	0
10	0.1
100	1
1000	10
2000	20

### PART NUMBER/ ORDERING

RP350	-X (Amps)	-Y (Ycap, nF)	-T
	20	0	S
	40	10	
	60	100	
	80	1000	
	100	2000	

**Note:** Use any combination of -Y with any -X (Amps) rating  
e.g. RP350-40-10-S (40 Amps with 10nF Ycap)

### SCHEMATIC



## RP350

### Typical Insertion Loss, dB (50/50ohm) Mechanical Dimensions

20 Amp					
FREQ (MHz)	.15	.5	1	10	30
CM (dB)	60	70	65	60	40
DM (dB)	55	70	70	70	60

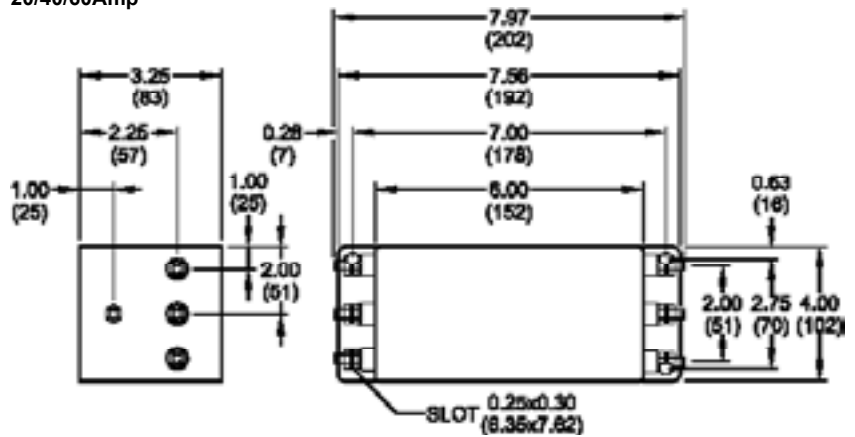
40 Amp					
FREQ (MHz)	.15	.5	1	10	30
CM (dB)	45	55	55	50	40
DM (dB)	46	65	70	70	60

60 Amp					
FREQ (MHz)	.15	.5	1	10	30
CM (dB)	42	52	55	50	40
DM (dB)	40	60	65	65	60

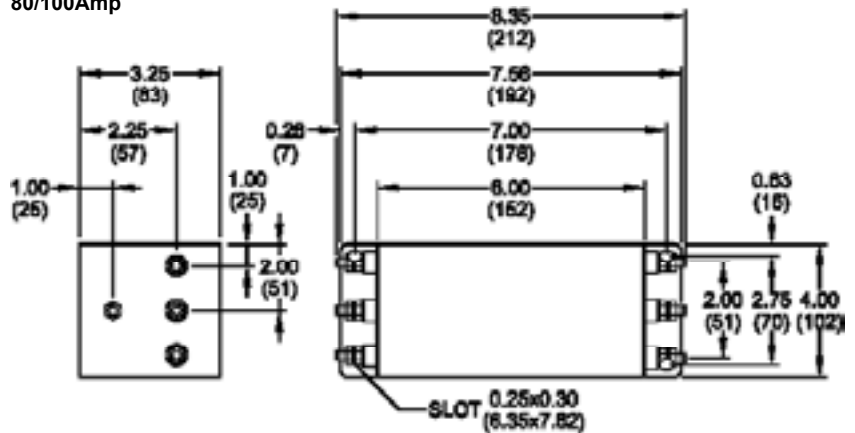
80 Amp					
FREQ (MHz)	.15	.5	1	10	30
CM (dB)	36	50	50	48	40
DM (dB)	36	55	55	58	50

100 Amp					
FREQ (MHz)	.15	.5	1	10	30
CM (dB)	30	48	50	46	35
DM (dB)	30	50	50	45	45

20/40/60Amp



80/100Amp



TYPICAL TOLERANCE: +/-0.02 (0.50)

Reference purposes only.  
Specifications are subject to change.  
Consult factory to verify specifications.