

RP328 Series

Bookshelf 3-Phase Delta Single Stage Power Line Filter

RP328 3 PHASE TO 180A BOOKSHELF DESIGN

ROHS COMPLIANT



SPECIFICATIONS

| | |
|------------------------|------------------------------------------------------------|
| Operating Freq. | : 50/60Hz |
| Usable Freq. | : DC - 400Hz |
| Max. Operating Voltage | : 480V +10% |
| Ambient Temperature | : -25 to 50C |
| Climatic Category | : 25/100/21 |
| Hipot Rating (L-G) | : 3500VDC |
| Terminals (-T) | : S: 7/16/30/42/55A (M5) 75/100A (M6) 130/180A (M10) |
| Safety Approvals | : UR, CSA, EN60939 |

LEAKAGE CURRENT

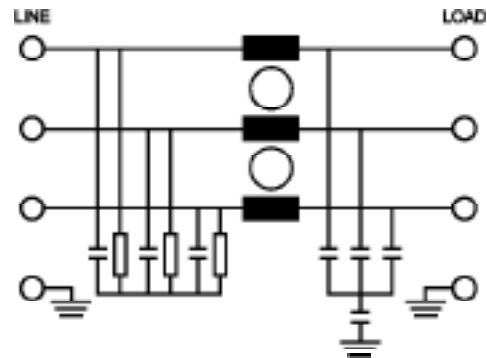
| Y-cap, nF | mA, 480V/60Hz |
|-----------|------------------|
| 0 | 0 |
| 10 | 0.1 |
| 100 | 1 |
| 1000 | 10 |
| 2000 | 20 |

PART NUMBER/ ORDERING

| RP328 | -X (Amps) | -Y (Ycap, nF) | -T | Weight LBS (KG) Typ. |
|-------|--------------|------------------|----|----------------------------|
| | 7 | 0 | S | 2.0 (0.9) |
| | 16 | 10 | | 3.0 (1.4) |
| | 30 | 100 | | 4.0 (1.8) |
| | 42 | 1000 | | 4.0 (1.8) |
| | 55 | 2000 | | 5.0 (2.3) |
| | 75 | | | 7.0 (3.2) |
| | 100 | | | 7.0 (3.2) |
| | 130 | | | 13.5 (6.1) |
| | 180 | | | 18.0 (8.2) |

Note: Use any combination of -Y with any -X (Amps) rating
e.g. RP328-130-10-S (130 Amps with 10nF Ycap)

SCHEMATIC



Reference purposes only.
Specifications are subject to change.
Consult factory to verify specifications.

RP328

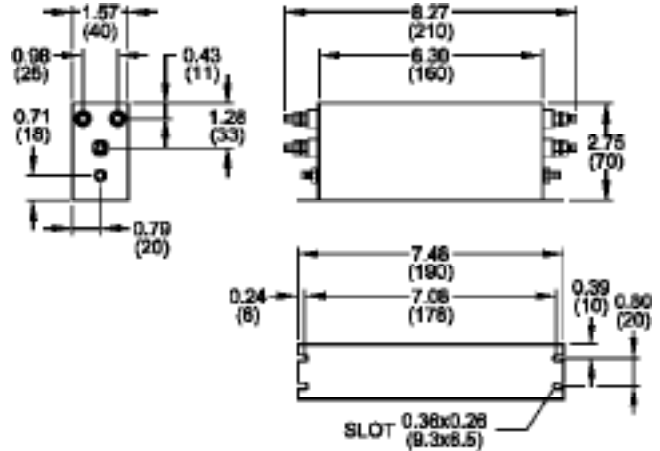
Typical Insertion Loss, dB (50/50ohm)

Mechanical Drawings

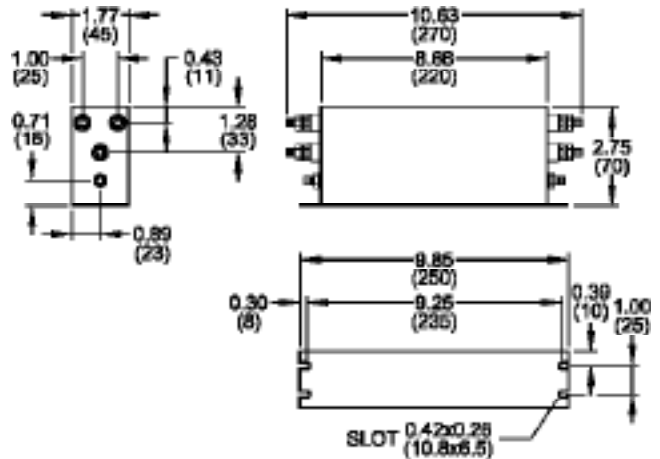
| 7/16 Amp | | | | | |
|------------|-----|----|----|----|----|
| FREQ (MHz) | .15 | .5 | 1 | 10 | 30 |
| CM (dB) | 65 | 70 | 70 | 50 | 30 |
| DM (dB) | 55 | 70 | 70 | 60 | 40 |

| 30 Amp | | | | | |
|------------|-----|----|----|----|----|
| FREQ (MHz) | .15 | .5 | 1 | 10 | 30 |
| CM (dB) | 65 | 70 | 70 | 45 | 25 |
| DM (dB) | 55 | 70 | 70 | 60 | 40 |

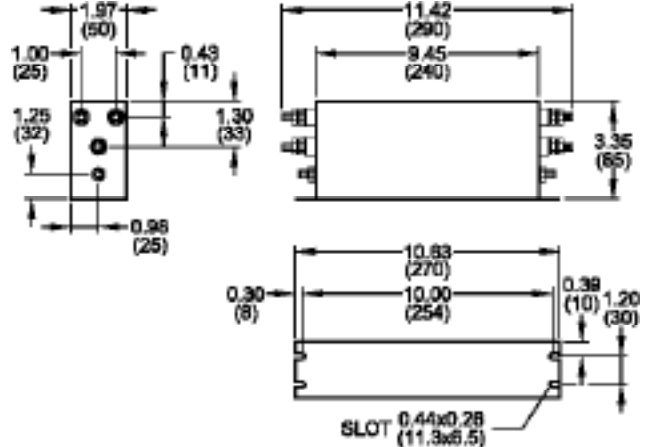
7Amp



16Amp



30Amp



TYPICAL TOLERANCE: +/-0.02 (0.50)

Reference purposes only.
Specifications are subject to change.
Consult factory to verify specifications.

www.radiuspower.com
www.astrodyne.com

Email: Emifilterscs@astrodyne.com

RP328

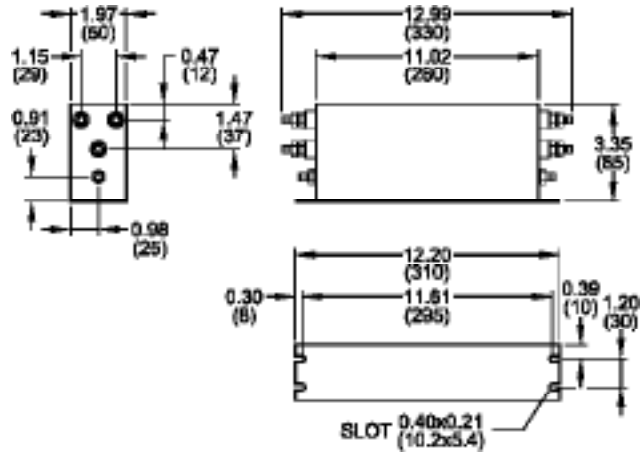
Typical Insertion Loss, dB (50/50ohm)

Mechanical Dimensions

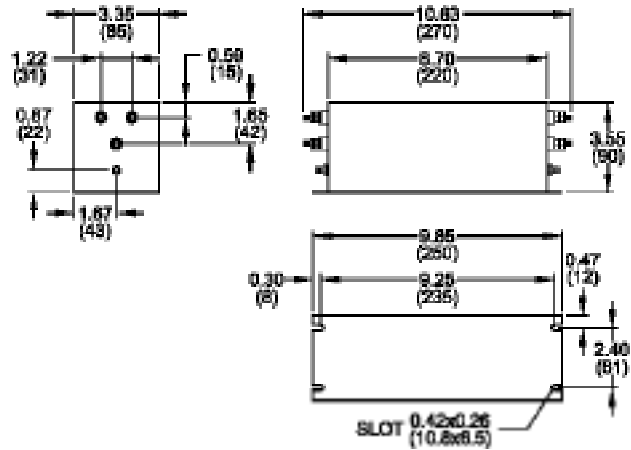
| 42/55 Amp | | | | | |
|------------|-----|----|----|----|----|
| FREQ (MHz) | .15 | .5 | 1 | 10 | 30 |
| CM (dB) | 65 | 70 | 70 | 40 | 20 |
| DM (dB) | 55 | 65 | 60 | 50 | 50 |

| 75 Amp | | | | | |
|------------|-----|----|----|----|----|
| FREQ (MHz) | .15 | .5 | 1 | 10 | 30 |
| CM (dB) | 65 | 70 | 70 | 40 | 20 |
| DM (dB) | 55 | 70 | 60 | 55 | 30 |

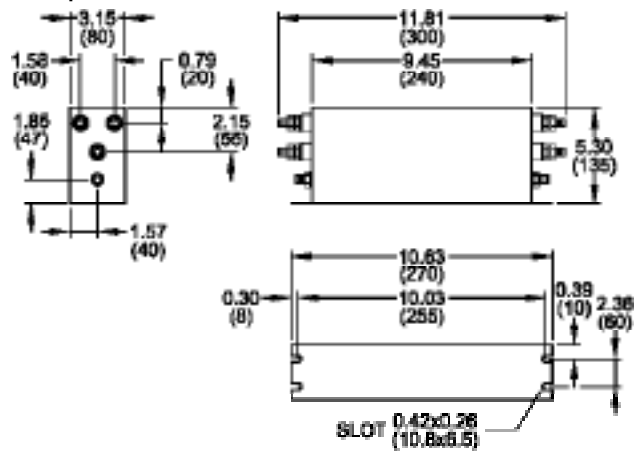
42Amp



55Amp



75Amp



TYPICAL TOLERANCE: +/-0.02 (0.50)

Reference purposes only.
Specifications are subject to change.
Consult factory to verify specifications.

RP328

Typical Insertion Loss, dB (50/50ohm)

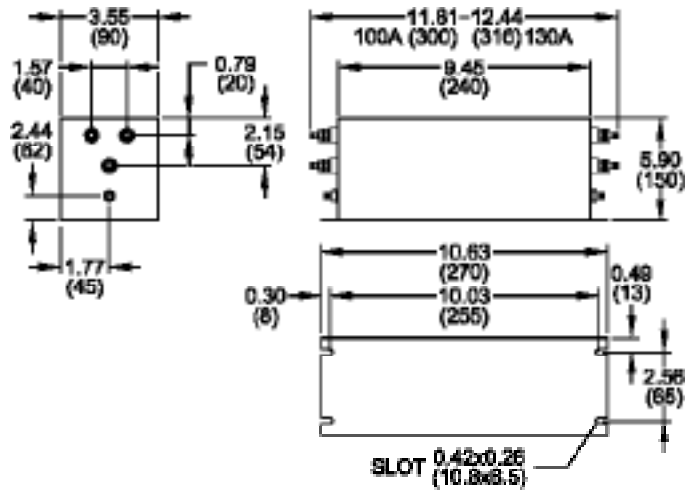
Mechanical Dimensions

| 100 Amp | | | | | |
|------------|-----|----|----|----|----|
| FREQ (MHz) | .15 | .5 | 1 | 10 | 30 |
| CM (dB) | 65 | 70 | 70 | 40 | 20 |
| DM (dB) | 55 | 70 | 60 | 55 | 30 |

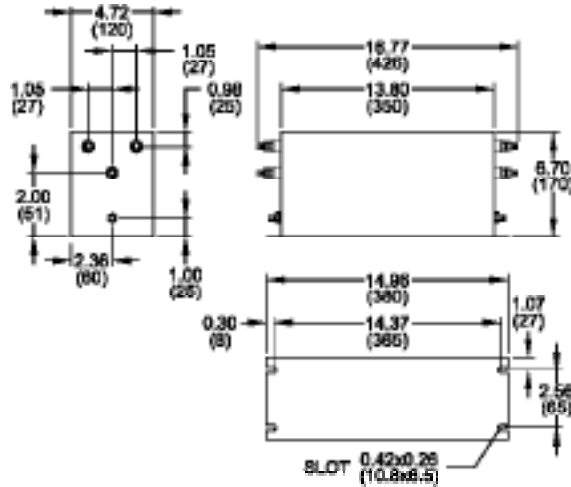
| 130 Amp | | | | | |
|------------|-----|----|----|----|----|
| FREQ (MHz) | .15 | .5 | 1 | 10 | 30 |
| CM (dB) | 58 | 70 | 65 | 40 | 22 |
| DM (dB) | 55 | 60 | 55 | 40 | 42 |

| 180 Amp | | | | | |
|------------|-----|----|----|----|----|
| FREQ (MHz) | .15 | .5 | 1 | 10 | 30 |
| CM (dB) | 55 | 70 | 70 | 40 | 20 |
| DM (dB) | 50 | 65 | 50 | 40 | 40 |

100/130 Amp



180 Amp



TYPICAL TOLERANCE: +/-0.02 (0.50)

Reference purposes only.
Specifications are subject to change.
Consult factory to verify specifications.

www.radiuspower.com
www.astrodyne.com

Email: Emifilters@astrodyne.com