

RP325 Series

3-Phase Delta Dual Stage Power Line Filter

RP325 3PHASE DELTA TO 300A

ROHS COMPLIANT



SPECIFICATIONS

Operating Freq.	: 50/60Hz
Usable Freq.	: DC - 400Hz
Max. Operating Voltage	: 480V +10%
Ambient Temperature	: -25 to 50C
Climatic Category	: 25/100/21
Hipot Rating (L-G)	: 3500VDC
Terminals (-T)	: S: 15/30/50A (M5) 80/100A (M6) 150/200A (M10) 300A (M12)
Safety Approvals	: CSA, UR, EN60939

LEAKAGE CURRENT

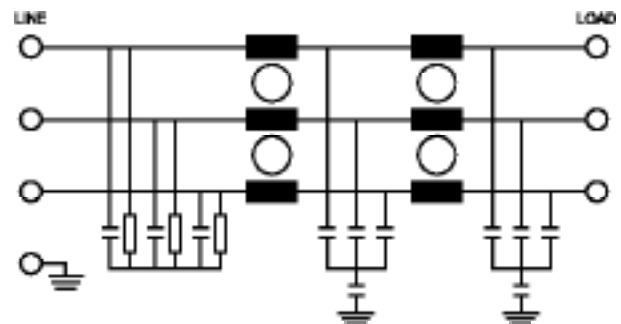
Y-cap, nF	mA, 480V/60Hz
0	0
10	0.1
100	1
1000	10
2000	20

PART NUMBER/ ORDERING

RP325	-X (Amps)	-Y (Ycap, nF)	-T	Weight LBS (KG) Typ.
	15	0	S	4.7 (2.1)
	30	10		4.7 (2.1)
	50	100		4.7 (2.1)
	80	1000		9.5 (4.3)
	100	2000		18.0 (8.2)
	150			18.0 (8.2)
	200			18.0 (8.2)
	300			25.0 (11.3)

Note: Use any combination of -Y with any -X (Amps) rating
e.g. RP325-200-1000-S (200 Amps with 1000nF Ycap)

SCHEMATIC



Reference purposes only.
Specifications are subject to change.
Consult factory to verify specifications.

RP325

Typical Insertion Loss, dB (50/50ohm)

Mechanical Dimensions

15/30 Amp					
FREQ (MHz)	.15	.5	1	10	30
CM (dB)	65	75	75	58	40
DM (dB)	65	75	75	75	70

50 Amp					
FREQ (MHz)	.15	.5	1	10	30
CM (dB)	58	70	70	58	40
DM (dB)	60	70	75	70	60

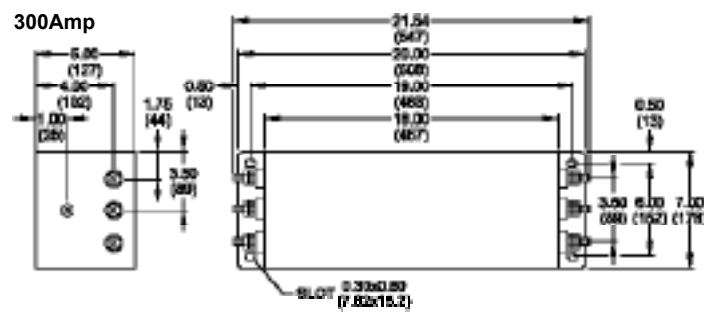
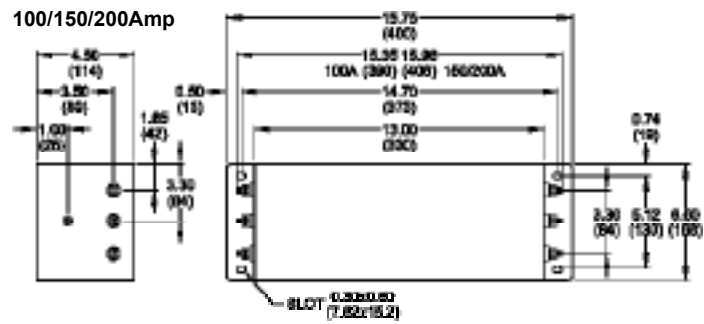
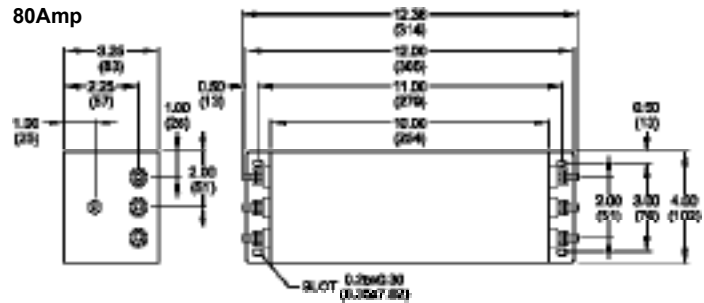
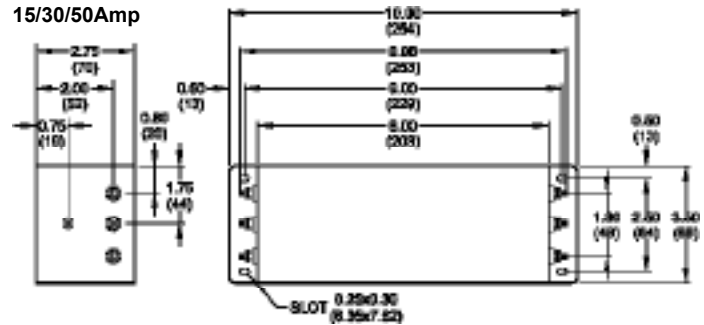
80 Amp					
FREQ (MHz)	.15	.5	1	10	30
CM (dB)	54	65	65	55	40
DM (dB)	55	60	60	50	38

100 Amp					
FREQ (MHz)	.15	.5	1	10	30
CM (dB)	70	75	75	58	30
DM (dB)	55	70	70	60	30

150 Amp					
FREQ (MHz)	.15	.5	1	10	30
CM (dB)	65	70	70	55	30
DM (dB)	50	65	70	60	30

200 Amp					
FREQ (MHz)	.15	.5	1	10	30
CM (dB)	60	65	60	50	35
DM (dB)	50	65	70	60	30

300 Amp					
FREQ (MHz)	.15	.5	1	10	30
CM (dB)	60	65	60	48	40
DM (dB)	55	55	55	50	30



TYPICAL TOLERANCE: +/-0.02 (0.50)

Reference purposes only.
 Specifications are subject to change.
 Consult factory to verify specifications.