

RP305 Series

Compact 3-Phase Delta Single Stage Power Line Filter

**RP305
COMPACT 3PHASE DELTA TO 60A**

ROHS COMPLIANT



SPECIFICATIONS

Operating Freq.	: 50/60Hz
Usable Freq.	: DC - 400Hz
Max. Operating Voltage	: 480V +10%
Ambient Temperature	: -25 to 50C
Climatic Category	: 25/100/21
Hipot Rating (L-G)	: 3500VDC
Terminals (-T)	: S: M5
Safety Approvals	: CSA, UR, EN60939
Typ. Weight, LBS (KG)	: 2.6 (1.2)

LEAKAGE CURRENT

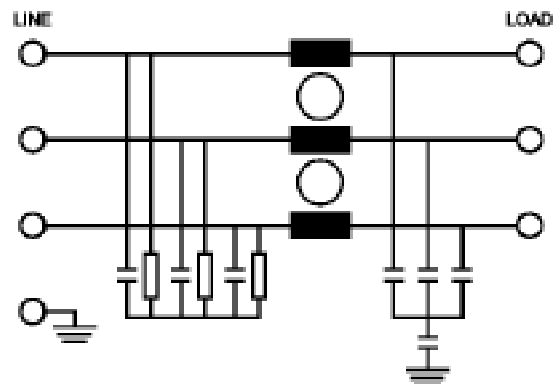
Y-cap, nF	mA, 480V/60Hz
0	0
10	0.1
100	1
1000	10

PART NUMBER/ ORDERING

RP305	-X (Amps)	-Y (Ycap, nF)	-T
	6	0	S
	10	10	
	20	100	
	30	1000	
	40		
	60		

Note: Use any combination of -Y with any -X (Amps) rating
e.g. RP305-40-10-S (40 Amps with 10nF Ycap)

SCHEMATIC



www.radiuspower.com
www.astrodyne.com

Email: Emifiltercs@astrodyne.com

RP305

Typical Insertion Loss, dB (50/50ohm)

Mechanical Dimensions

6 Amp					
FREQ (MHz)	.15	.5	1	10	30
CM (dB)	70	75	75	58	52
DM (dB)	54	72	77	77	67

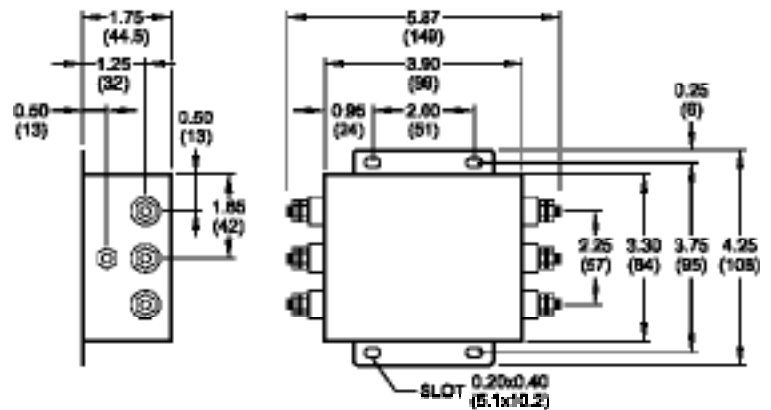
10 Amp					
FREQ (MHz)	.15	.5	1	10	30
CM (dB)	62	75	75	60	52
DM (dB)	50	72	77	77	67

20 Amp					
FREQ (MHz)	.15	.5	1	10	30
CM (dB)	60	65	68	52	52
DM (dB)	50	57	62	62	52

30 Amp					
FREQ (MHz)	.15	.5	1	10	30
CM (dB)	60	70	72	57	52
DM (dB)	48	67	72	72	67

40 Amp					
FREQ (MHz)	.15	.5	1	10	30
CM (dB)	60	68	73	58	53
DM (dB)	47	67	72	72	67

60 Amp					
FREQ (MHz)	.15	.5	1	10	30
CM (dB)	58	65	70	60	50
DM (dB)	45	65	70	70	65



TYPICAL TOLERANCE: +/-0.02 (0.50)

Reference purposes only.
Specifications are subject to change.
Consult factory to verify specifications.