

RP240 Series

High Performance Dual Stage Power Line Filter

RP240 SINGLE PHASE TO 150A CHASSIS MOUNT FILTER

ROHS COMPLIANT



SPECIFICATIONS

Operating Freq.	: 50/60Hz
Usable Freq.	: DC - 400Hz
Max. Operating Voltage	: 300V +10%
Ambient Temperature	: -25 to 50C
Climatic Category	: 25/100/21
Hipot Rating (L-G)	: 2700VDC
Terminals (-T)	: QD: 0.25 Tabs (6-16A) S: 25-50A (M5) 80A (M6) 100/150A (M10)
Safety Approvals	: cURus, EN60939

LEAKAGE CURRENT

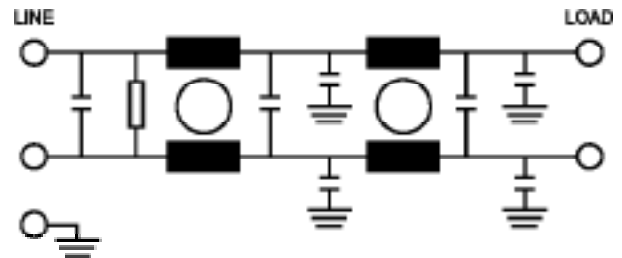
Y-cap, nF	mA, 120V/60Hz	mA, 250V/60Hz
0	0	0
2.2	0.2	0.4
4.7	0.4	0.8
10	0.9	0.18
22	2	4
100	9	1.8

PART NUMBER/ ORDERING

RP240	-X (Amps)	-Y (Ycap, nF)	-T	Weight LBS (KG) Typ.
	6	0	QD	0.8 (0.4)
	12	2.2		2.6 (1.2)
	16	4.7		2.6 (1.2)
	25	10	S	3.2 (1.5)
	36	22		4.0 (1.8)
	50	100		4.0 (1.8)
	80			6.0 (2.7)
	100			7.0 (3.2)
	150			8.0 (3.6)

Note: Use any combination of -Y with any -X (Amps) rating
e.g. RP240-50-4.7-S (50Amps with 4.7nF Ycap)

SCHEMATIC



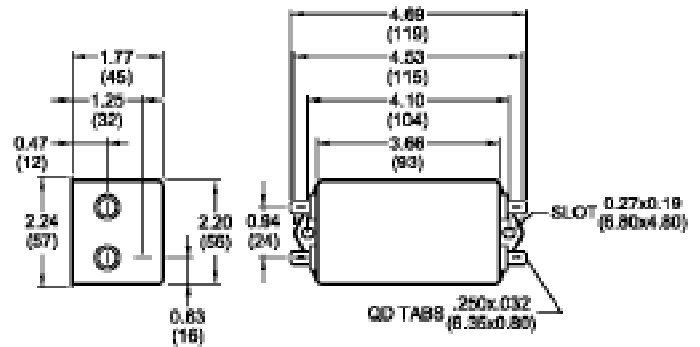
RP240

Typical Insertion Loss, dB (50/50ohm)

Mechanical Dimensions

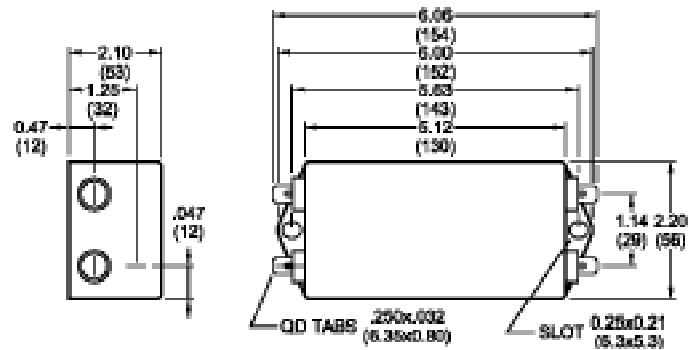
6 Amp					
FREQ (MHz)	.15	.5	1.0	10	30
CM(dB)	60	62	62	52	45
DM(dB)	40	60	68	60	60

6 Amp



12/16 Amp					
FREQ (MHz)	.15	.5	1.0	10	30
CM(dB)	60	62	62	50	40
DM(dB)	40	60	68	60	60

12/16 Amp



TYPICAL TOLERANCE: +/-0.02 (0.50)

Reference purposes only.
Specifications are subject to change.
Consult factory to verify specifications.

RP240

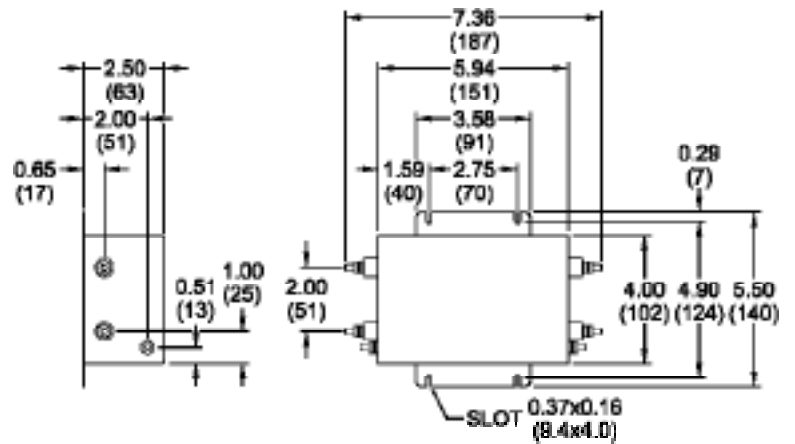
Typical Insertion Loss, dB (50/50ohm)

Mechanical Dimensions

25/36 Amp					
FREQ (MHz)	.15	.5	1.0	10	30
CM(dB)	24	46	50	60	60
DM(dB)	25	40	60	65	65

50 Amp					
FREQ (MHz)	.15	.5	1.0	10	30
CM(dB)	42	50	55	65	60
DM(dB)	60	60	65	65	65

25/36/50 Amp



TYPICAL TOLERANCE: +/-0.02 (0.50)

Reference purposes only.
Specifications are subject to change.
Consult factory to verify specifications.

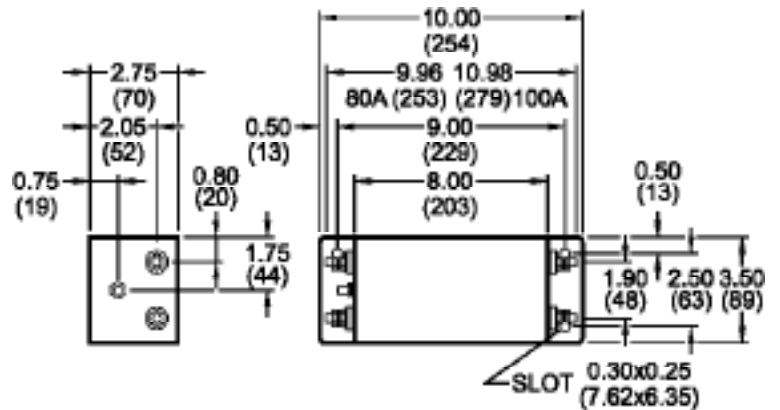
RP240

Typical Insertion Loss, dB (50/50ohm)

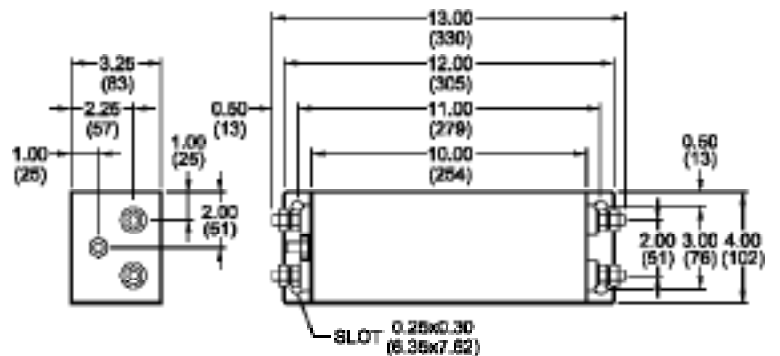
Mechanical Dimensions

80 Amp					
FREQ (MHz)	.15	.5	1.0	10	30
CM(dB)	28	44	55	60	60
DM(dB)	50	52	65	65	65

80/100 Amp



150 Amp



TYPICAL TOLERANCE: +/-0.02 (0.50)

Reference purposes only.
Specifications are subject to change.
Consult factory to verify specifications.