



**RP230 Series - Medical Grade**

**High Performance Dual Stage Power Line Filter**

**RP230  
MEDICAL GRADE TO 40A  
CHASSIS MOUNT FILTER**

**ROHS COMPLIANT**



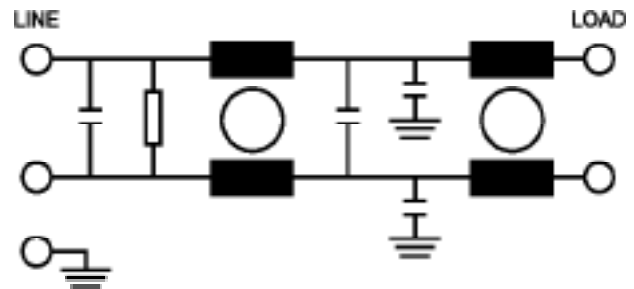
SPECIFICATIONS	
Operating Freq.	: 50/60Hz
Usable Freq.	: DC - 400Hz
Max. Operating Voltage	: 250V +10%
Ambient Temperature	: -25 to 40C
Climatic Category	: 25/100/21
Hipot Rating (L-G)	: 2700VDC
Terminals (-T)	: QD: 0.25 Tabs S: 30/40A (M4)
Safety Approvals	: CSA, UR, EN60939

LEAKAGE CURRENT		
Y-cap, nF	mA, 120V/60Hz	mA, 250V/60Hz
0	0	0
.22	0.02	0.04
.47	0.04	0.08
1	0.09	0.18

PART NUMBER/ ORDERING				
RP230	-X (Amps)	-Y (Ycap, nF)	-T	Weight LBS (KG) Typ.
	3.5	0	QD	0.7 (0.3)
	6.5	.22		0.7 (0.3)
	20	.47		0.7 (0.3)
	30	1	S	2.6 (1.2)
	40			3.1 (1.4)

**Note:** Use any combination of -Y with any -X (Amps) rating  
e.g. RP230-40-.47-S (40Amps with .47nF Ycap)

**SCHEMATIC**



Reference purposes only.  
Specifications are subject to change.  
Consult factory to verify specifications.

## RP230

Typical Insertion Loss, dB (50/50ohm)

Mechanical Dimensions

3.5 Amp					
FREQ (MHz)	.15	.5	1.0	10	30
CM(dB)	60	62	62	52	45
DM(dB)	40	60	68	60	60

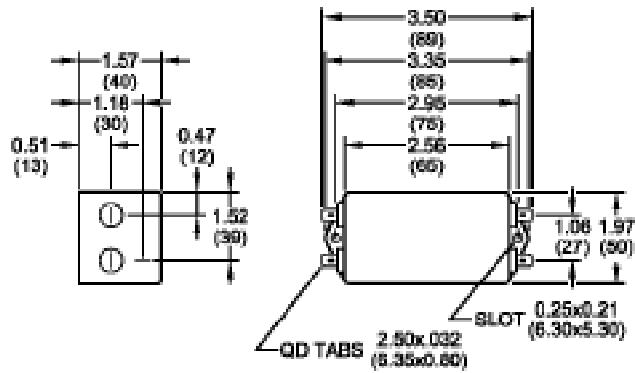
6.5 Amp					
FREQ (MHz)	.15	.5	1.0	10	30
CM(dB)	60	62	62	50	40
DM(dB)	40	60	68	60	60

20 Amp					
FREQ (MHz)	.15	.5	1.0	10	30
CM(dB)	24	46	50	60	60
DM(dB)	25	40	60	65	65

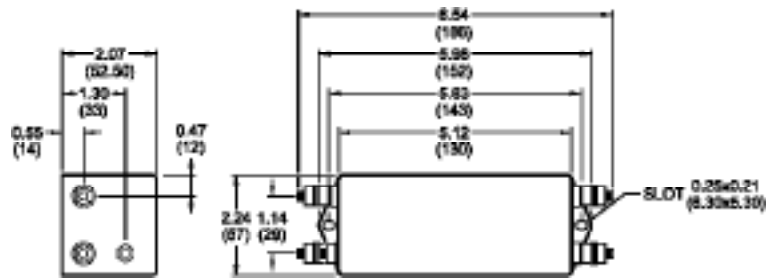
30 Amp					
FREQ (MHz)	.15	.5	1.0	10	30
CM(dB)	42	50	55	65	60
DM(dB)	60	60	65	65	65

40 Amp					
FREQ (MHz)	.15	.5	1.0	10	30
CM(dB)	28	44	55	60	60
DM(dB)	50	52	65	65	65

3.5/6.5/20 Amp



30/40 Amp



TYPICAL TOLERANCE: +/-0.02 (0.50)

Reference purposes only.  
Specifications are subject to change.  
Consult factory to verify specifications.