



RP230 Series

High Performance Dual Stage Power Line Filter

RP230 DUAL STAGE TO 40A CHASSIS MOUNT FILTER

ROHS COMPLIANT



SPECIFICATIONS

Operating Freq.	: 50/60Hz
Usable Freq.	: DC - 400Hz
Max. Operating Voltage	: 300V +10%
Ambient Temperature	: -25 to 40C
Climatic Category	: 25/100/21
Hipot Rating (L-G)	: 2700VDC
Terminals (-T)	: QD: 0.25 Tabs S: 30/40A (M4)
Safety Approvals	: CSA, UR, EN60939

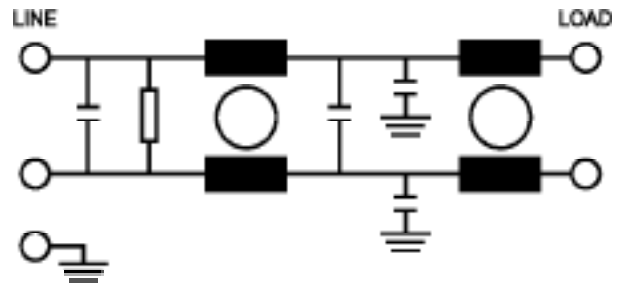
LEAKAGE CURRENT

Y-cap, nF	mA, 120V/60Hz	mA, 250V/60Hz
0	0	0
.47	0.04	0.08
1	0.09	0.18
2.2	0.2	0.4
4.7	0.4	0.8
10	0.9	1.8

PART NUMBER/ ORDERING

RP230	-X (Amps)	-Y (Ycap, nF)	-T	Weight LBS (KG) Typ.
	3.5	0	QD	0.7 (0.3)
	6.5	.47		0.7 (0.3)
	10	1		0.7 (0.3)
	16	2.2		0.7 (0.3)
	20	4.7		0.7 (0.3)
	20.5	10		0.7 (0.3)
	30		S	2.6 (1.2)
	40			3.1 (1.4)

SCHEMATIC



Note: Use any combination of -Y with any -X (Amps) rating
e.g. RP230-40-4.7-S (40Amps with 4.7nF Ycap)

Reference purposes only.
Specifications are subject to change.
Consult factory to verify specifications.

www.radiuspower.com
www.astrodyne.com

Email: Emifiltercs@astrodyne.com

RP230

Typical Insertion Loss, dB (50/50ohm)

Mechanical Dimensions

3.5 Amp					
FREQ (MHz)	.15	.5	1.0	10	30
CM(dB)	60	62	62	52	45
DM(dB)	40	60	68	60	60

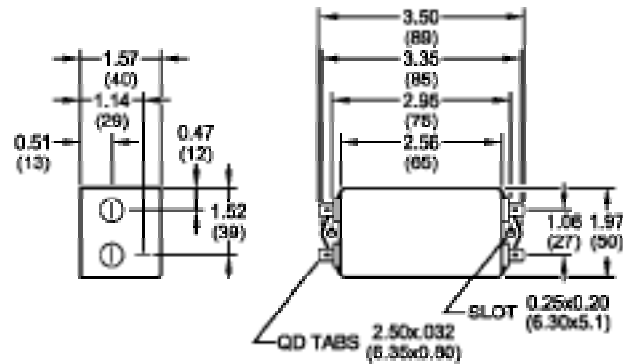
6.5 Amp					
FREQ (MHz)	.15	.5	1.0	10	30
CM(dB)	60	62	62	50	40
DM(dB)	40	60	68	60	60

20 Amp					
FREQ (MHz)	.15	.5	1.0	10	30
CM(dB)	24	46	50	60	60
DM(dB)	25	40	60	65	65

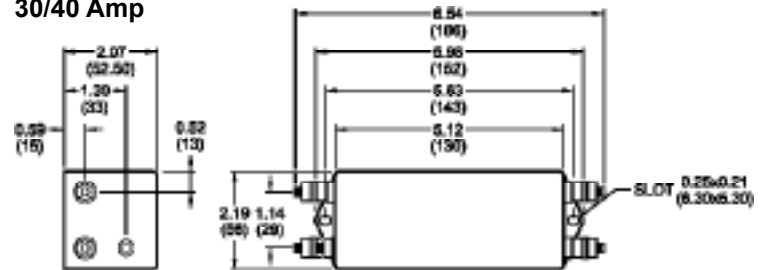
30 Amp					
FREQ (MHz)	.15	.5	1.0	10	30
CM(dB)	42	50	55	65	60
DM(dB)	60	60	65	65	65

40 Amp					
FREQ (MHz)	.15	.5	1.0	10	30
CM(dB)	28	44	55	60	60
DM(dB)	50	52	65	65	65

3.5/6.5/10/16/20/20.5 Amp



30/40 Amp



TYPICAL TOLERANCE: +/-0.02 (0.50)

Reference purposes only.
Specifications are subject to change.
Consult factory to verify specifications.