



RP225 Series - Medical Grade High Performance Dual Stage Power Line Filter

**RP225
MEDICAL GRADE TO 20A
CHASSIS MOUNT FILTER**

ROHS COMPLIANT



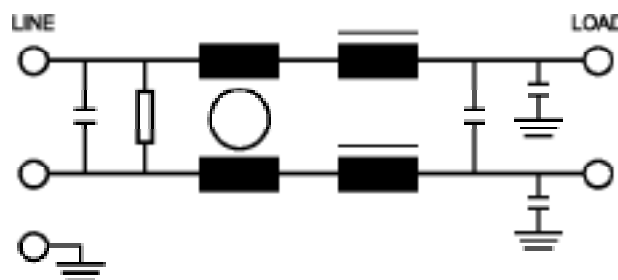
SPECIFICATIONS	
Operating Freq.	: 50/60Hz
Usable Freq.	: DC - 400Hz
Max. Operating Voltage	: 250V +10%
Ambient Temperature	: -25 to 40C
Climatic Category	: 25/100/21
Hipot Rating (L-G)	: 2700VDC
Terminals (-T)	: QD: 0.25 Tabs
Safety Approvals	: CSA, UR, EN60939

LEAKAGE CURRENT		
Y-cap, nF	mA, 120V/60Hz	mA, 250V/60Hz
0	0	0
.22	.02	0.04
.47	.04	0.08
1	.09	0.18

PART NUMBER/ ORDERING				
RP225	-X (Amps)	-Y (Ycap, nF)	-T	Weight LBS (KG) Typ.
	3	0	QD	0.8 (0.7)
	4	.22		0.8 (0.7)
	6	.47		0.8 (0.7)
	10	1		0.8 (0.7)
	12			0.8 (0.7)
	20			1.4 (0.6)

Note: Use any combination of -Y with any -X (Amps) rating
e.g. RP225-20-1-QD (20Amps with 1nF Ycap)

SCHEMATIC



Reference purposes only.
Specifications are subject to change.
Consult factory to verify specifications.

RP225

Typical Insertion Loss, dB (50/50ohm)

Mechanical Dimensions

3 Amp					
FREQ (MHz)	.15	.5	1.0	10	30
CM(dB)	14	28	30	65	65
DM(dB)	26	65	65	55	36

4 Amp					
FREQ (MHz)	.15	.5	1.0	10	30
CM(dB)	48	50	50	45	45
DM(dB)	65	75	75	65	60

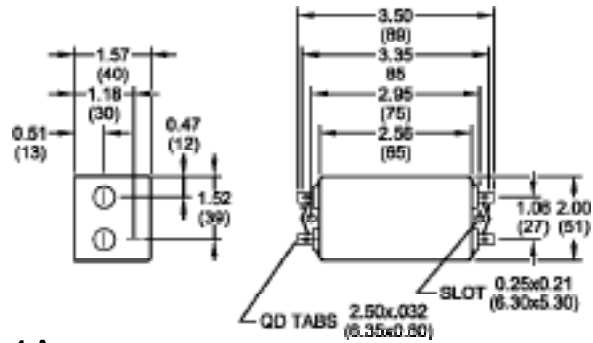
6 Amp					
FREQ (MHz)	.15	.5	1.0	10	30
CM(dB)	19	32	36	65	50
DM(dB)	30	65	65	55	40

10 Amp					
FREQ (MHz)	.15	.5	1.0	10	30
CM(dB)	20	30	34	65	50
DM(dB)	26	65	65	52	45

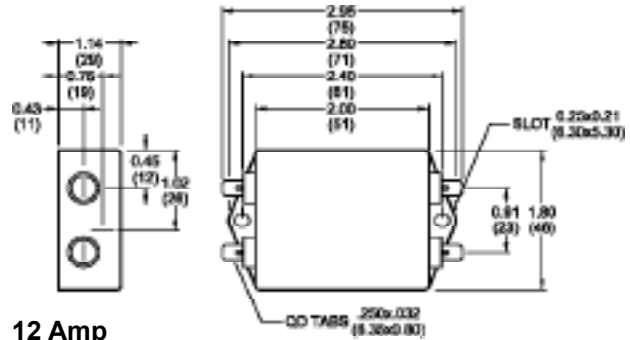
12 Amp					
FREQ (MHz)	.15	.5	1.0	10	30
CM(dB)	22	35	40	65	50
DM(dB)	33	65	65	55	40

20 Amp					
FREQ (MHz)	.15	.5	1.0	10	30
CM(dB)	20	32	65	65	50
DM(dB)	26	65	65	50	45

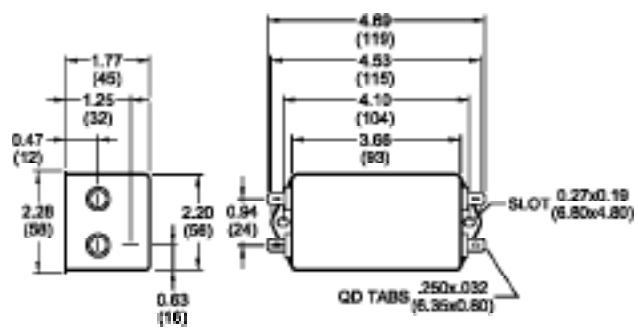
3/6/10 Amp



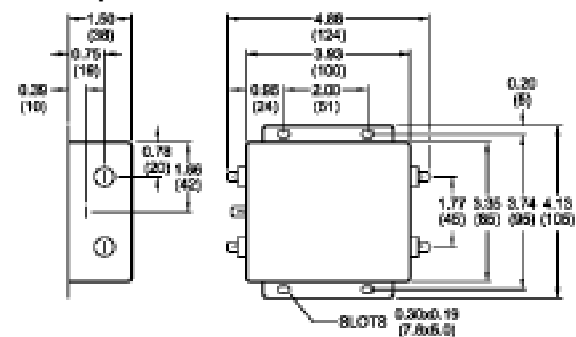
4 Amp



12 Amp



20 Amp



TYPICAL TOLERANCE: +/-0.02 (0.50)

Reference purposes only.
Specifications are subject to change.
Consult factory to verify specifications.

www.radiuspower.com
www.astrodyne.com

Email: Emifiltercs@astrodyne.com