



RP210 Series - Medical Grade

Compact Dual Stage Power Line Filter

**RP210
MEDICAL GRADE TO 16A
CHASSIS MOUNT FILTER**

ROHS COMPLIANT



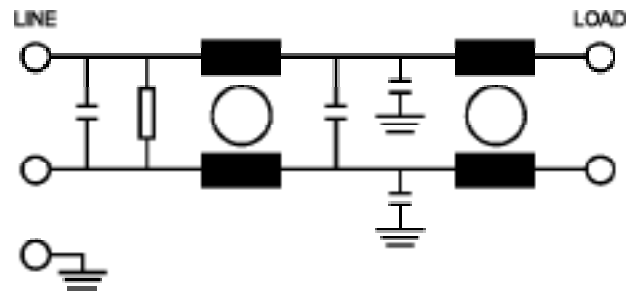
SPECIFICATIONS	
Operating Freq.	: 50/60Hz
Usable Freq.	: DC - 400Hz
Max. Operating Voltage	: 250V +10%
Ambient Temperature	: -25 to 40C
Climatic Category	: 25/100/21
Hipot Rating (L-G)	: 2700VDC
Terminals (-T)	: QD: 0.25 Tab
Safety Approvals	: cURus, EN60939

LEAKAGE CURRENT		
Y-cap, nF	mA, 120V/60Hz	mA, 250V/60Hz
0	0	0
.22	0.02	0.04
.47	0.04	0.08
1	0.09	0.18

PART NUMBER/ ORDERING				
RP210	-X (Amps)	-Y (Ycap, nF)	-T	Weight LBS (KG) Typ.
	3	0	QD	0.4 (0.2)
	6	.22		0.4 (0.2)
	10	.47		0.4 (0.2)
	16	1		0.5 (0.2)

Note: Use any combination of -Y with any -X (Amps) rating
e.g. RP210-6-.47-QD (6 Amps with .47nF Ycap)

SCHEMATIC



Reference purposes only.
Specifications are subject to change.
Consult factory to verify specifications.

RP210

Typical Insertion Loss, dB (50/50ohm)

Mechanical Dimensions

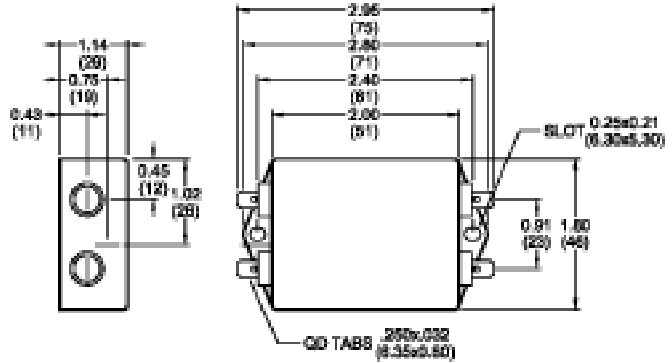
3 Amp					
FREQ (MHz)	.15	.5	1.0	10	30
CM(dB)	40	50	50	45	40
DM(dB)	15	26	45	50	50

6 Amp					
FREQ (MHz)	.15	.5	1.0	10	30
CM(dB)	30	42	50	55	35
DM(dB)	18	30	40	55	50

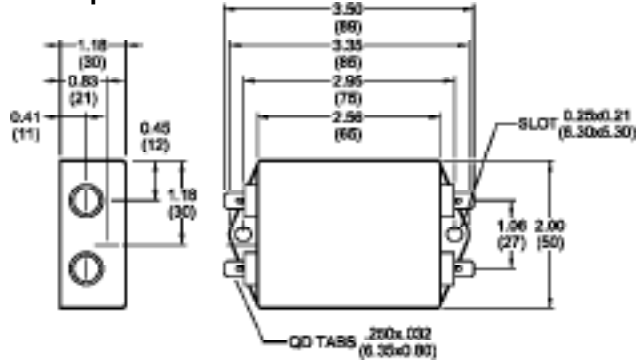
10 Amp					
FREQ (MHz)	.15	.5	1.0	10	30
CM(dB)	20	30	36	55	40
DM(dB)	15	26	32	55	40

16 Amp					
FREQ (MHz)	.15	.5	1.0	10	30
CM(dB)	18	25	40	55	45
DM(dB)	15	25	40	65	50

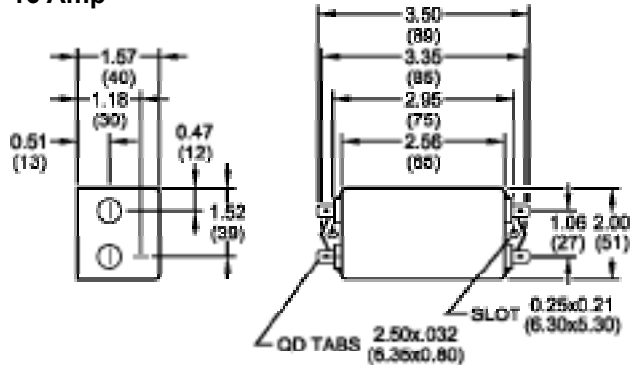
3/6 Amp



10 Amp



16 Amp



TYPICAL TOLERANCE: +/-0.02 (0.50)

Reference purposes only.
Specifications are subject to change.
Consult factory to verify specifications.