



RP187 Series - Medical Grade

High Perf IEC Inlet Dual Stage Power Line Filter

**RP187
MEDICAL GRADE FILTER
IEC INLET DUAL STAGE TO 20A**

ROHS COMPLIANT



SPECIFICATIONS

Operating Freq.	: 50/60Hz
Max. Operating Voltage	: 250V +10%
Ambient Temperature	: -25 to 40C
Climatic Catagory	: 25/100/21
Hipot Rating (L-G)	: 2121VDC
Plastic Mtg Force	: 18 LBS
Terminals (-T)	: QD: 0.25 Tabs
Safety Approvals	: CSA, UR, EN60939

LEAKAGE CURRENT

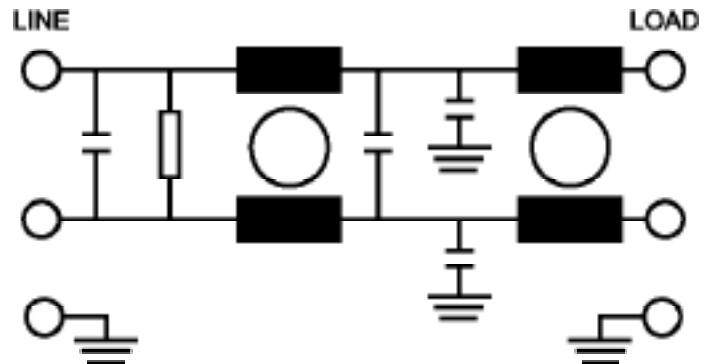
Y-cap, nF	mA, 120V/60Hz	mA, 250V/60Hz
0	0	0
.22	0.02	0.04
.47	0.04	0.08
1	0.09	0.18

PART NUMBER/ ORDERING

RP187	-X (Amps)	-Y (Ycap, nF)	-T	Weight LBS (KG) Typ.
	1	0	QD	0.4 (0.2)
	3	.22		0.4 (0.2)
	6	.47		0.4 (0.2)
	10	1		0.4 (0.2)
	20			0.4 (0.2)

Note: Use any combination of -Y with any -X (Amps) rating
e.g. RP187-1-.47-QD (1Amps with .47nF Ycap)

SCHEMATIC



Reference purposes only.
Specifications are subject to change.
Consult factory to verify specifications.

RP187

Typical Insertion Loss, dB (50/50ohm) Mechanical Dimensions

1 Amp					
FREQ (MHz)	.15	.5	1.0	10	30
CM(dB)	52	60	65	65	50
DM(dB)	28	45	65	65	55

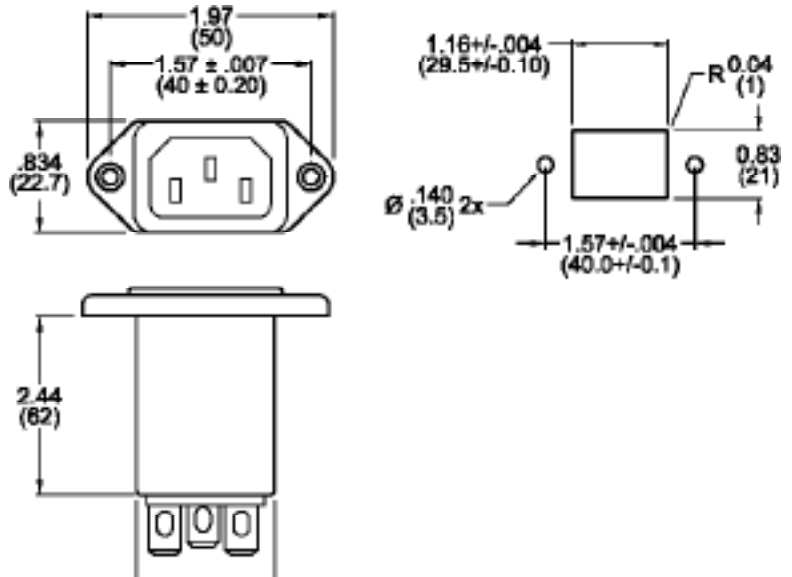
3 Amp					
FREQ (MHz)	.15	.5	1.0	10	30
CM(dB)	45	60	65	65	50
DM(dB)	28	45	65	65	60

6 Amp					
FREQ (MHz)	.15	.5	1.0	10	30
CM(dB)	30	50	60	60	60
DM(dB)	26	40	60	60	55

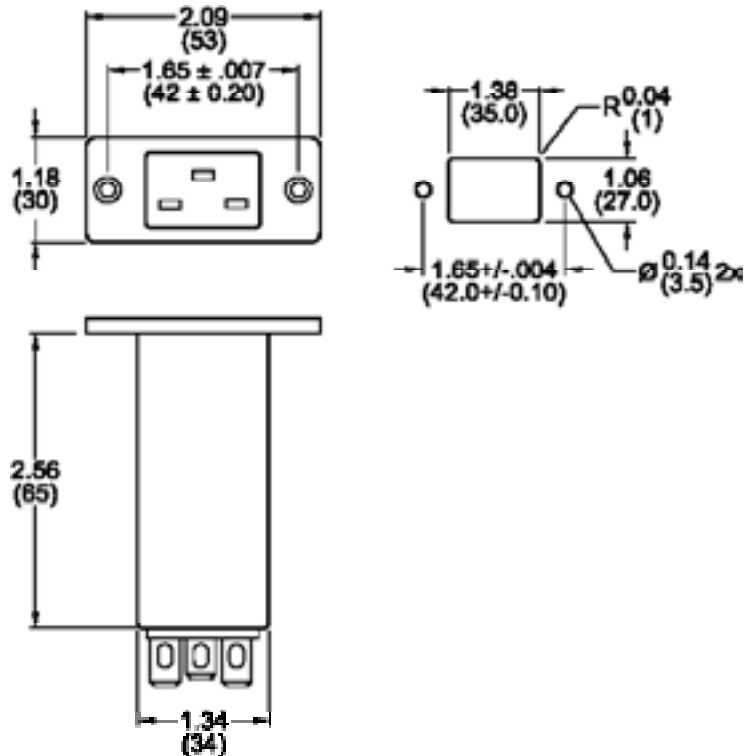
10 Amp					
FREQ (MHz)	.15	.5	1.0	10	30
CM(dB)	28	40	50	55	55
DM(dB)	26	38	55	60	60

20 Amp					
FREQ (MHz)	.15	.5	1.0	10	30
CM(dB)	18	35	45	50	58
DM(dB)	16	35	55	55	70

1/3/6/10 Amp



20 Amp



TYPICAL TOLERANCE: +/-0.02 (0.50)

Reference purposes only.
Specifications are subject to change.
Consult factory to verify specifications.