



**RP185 Series - Medical Grade High Perf IEC Inlet Single Stage Power Line Filter**

**RP185  
MEDICAL GRADE FILTER  
IEC INLET TO 15A**

**ROHS COMPLIANT**



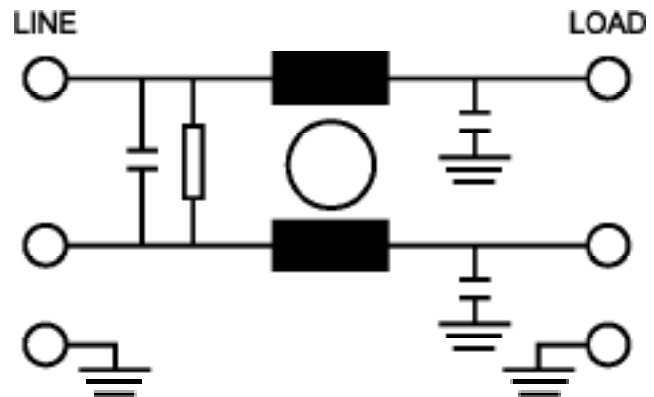
SPECIFICATIONS	
Operating Freq.	: 50/60Hz
Max. Operating Voltage	: 250V +10%
Ambient Temperature	: -25 to 40C
Climatic Catagory	: 25/100/21
Hipot Rating (L-G)	: 2121VDC
Plastic Mtg Force	: 18 LBS
Terminals (-T)	: QD: 0.25 Tabs
Safety Approvals	: CSA, UR, EN60939
Typ. Weight, LBS (KG)	: 0.2 (0.1)

LEAKAGE CURRENT		
Y-cap, nF	mA, 120V/60Hz	mA, 250V/60Hz
0	0	0
.22	0.02	0.04
.47	0.04	0.08
1	0.09	0.18

PART NUMBER/ ORDERING			
RP185	-X (Amps)	-Y (Ycap, nF)	-T
	1	0	QD
	3	.22	
	6	.47	
	10	1	
	15		

**Note:** Use any combination of -Y with any -X (Amps) rating  
e.g. RP185-15-.47-QD (15Amps with .47nF Ycap)

**SCHEMATIC**



Reference purposes only.  
Specifications are subject to change.  
Consult factory to verify specifications.



**RP185**

**Typical Insertion Loss, dB (50/50ohm) Mechanical Dimensions**

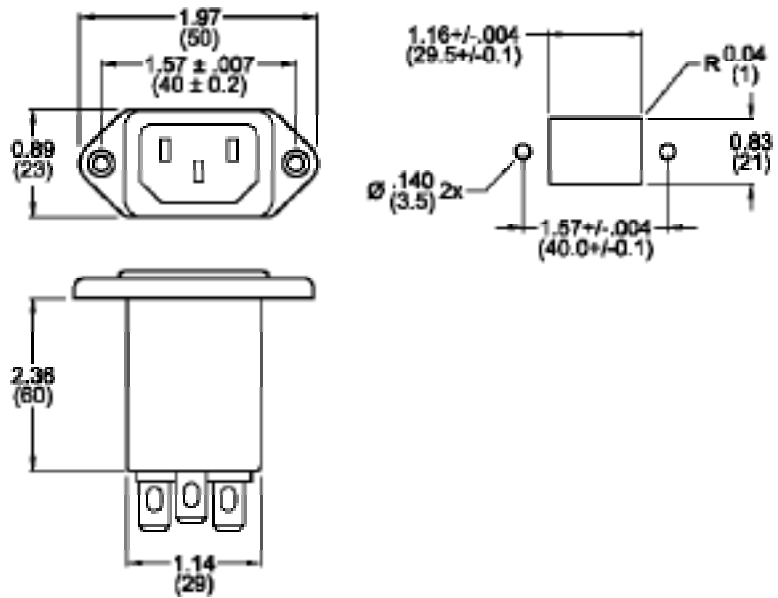
1 Amp					
FREQ (MHz)	.15	.5	1.0	10	30
CM(dB)	46	55	55	55	50
DM(dB)	22	38	60	60	50

3 Amp					
FREQ (MHz)	.15	.5	1.0	10	30
CM(dB)	36	50	55	55	50
DM(dB)	22	35	50	60	60

6 Amp					
FREQ (MHz)	.15	.5	1.0	10	30
CM(dB)	22	35	42	55	60
DM(dB)	20	32	40	50	55

10 Amp					
FREQ (MHz)	.15	.5	1.0	10	30
CM(dB)	20	32	28	55	55
DM(dB)	20	32	40	58	60

15 Amp					
FREQ (MHz)	.15	.5	1.0	10	30
CM(dB)	14	22	30	50	58
DM(dB)	15	32	40	54	70



TYPICAL TOLERANCE: +/-0.02 (0.50)

Reference purposes only.  
 Specifications are subject to change.  
 Consult factory to verify specifications.