

RP184 Series

Power Entry Module Single Stage Power Line Filter

RP184 PEM TO 10A FILTER/ INLET/ FUSE

ROHS COMPLIANT



SPECIFICATIONS

| | |
|------------------------|--------------------|
| Operating Freq. | : 50/60Hz |
| Max. Operating Voltage | : 250V +10% |
| Ambient Temperature | : -25 to 40C |
| Climatic Category | : 25/100/21 |
| Hipot Rating (L-G) | : 2121VDC |
| Plastic Mtg Force | : 18 LBS |
| Terminals (-T) | : QD: 0.25 Tabs |
| Safety Approvals | : CSA, UR, EN60939 |
| Typ. Weight, LBS (KG) | : 0.1 (0.05) |

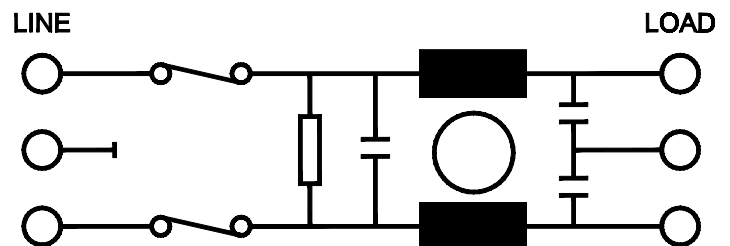
LEAKAGE CURRENT

| Y-cap, nF | mA, 120V/60Hz | mA, 250V/60Hz |
|-----------|------------------|------------------|
| 0 | 0 | 0 |
| .47 | 0.04 | 0.08 |
| 1 | 0.09 | 0.18 |
| 2.2 | 0.2 | 0.4 |
| 4.7 | 0.4 | 0.8 |

PART NUMBER/ ORDERING

| RP184 | -X (Amps) | -Y (Ycap, nF) | -T | -F |
|-------|--------------|------------------|----|----|
| | 1 | 0 | QD | DF |
| | 3 | .47 | | SF |
| | 6 | 1 | | |
| | 10 | 2.2 | | |
| | | 4.7 | | |

SCHEMATIC



Note: Use any combination of -Y with any -X (Amps) rating
 DF = Dual Fuse
 SF = Single Fuse
 e.g. RP184-3-4.7-QD-DF (3Amps, 4.7nF Ycap and Dual Fuse)

www.radiuspower.com

Reference purposes only.
 Specifications are subject to change.
 Consult factory to verify specifications

RP184

Typical Insertion Loss, dB (50/50ohm)

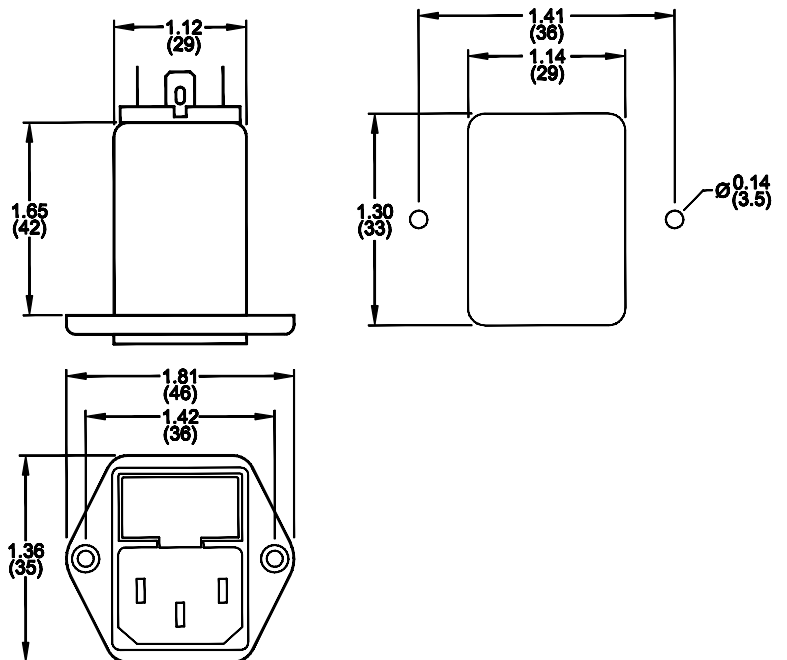
Mechanical Dimensions

| 1 Amp | | | | | |
|------------|-----|----|-----|----|----|
| FREQ (MHz) | .15 | .5 | 1.0 | 10 | 30 |
| CM(dB) | 40 | 55 | 55 | 50 | 65 |
| DM(dB) | 15 | 35 | 45 | 60 | 60 |

| 3 Amp | | | | | |
|------------|-----|----|-----|----|----|
| FREQ (MHz) | .15 | .5 | 1.0 | 10 | 30 |
| CM(dB) | 35 | 50 | 55 | 50 | 65 |
| DM(dB) | 14 | 33 | 42 | 60 | 60 |

| 6 Amp | | | | | |
|------------|-----|----|-----|----|----|
| FREQ (MHz) | .15 | .5 | 1.0 | 10 | 30 |
| CM(dB) | 24 | 40 | 50 | 50 | 65 |
| DM(dB) | 13 | 28 | 38 | 60 | 60 |

| 10 Amp | | | | | |
|------------|-----|----|-----|----|----|
| FREQ (MHz) | .15 | .5 | 1.0 | 10 | 30 |
| CM(dB) | 14 | 24 | 32 | 50 | 65 |
| DM(dB) | 11 | 22 | 28 | 55 | 55 |



TYPICAL TOLERANCE: +/-0.02 (0.50)

Reference purposes only.
Specifications are subject to change.
Consult factory to verify specifications