



RP182CS Series

IEC Inlet Single Stage Power Line Filter

**RP182CS
HIGH PERFORMANCE TO 10A
IEC INLET**

ROHS COMPLIANT



SPECIFICATIONS

Operating Freq.	: 50/60Hz
Max. Operating Voltage	: 250V +10%
Ambient Temperature	: -25 to 40C
Climatic Category	: 25/100/21
Hipot Rating (L-G)	: 2200VDC
Terminals (-T)	: Inlet & QD: 0.25 Tabs
Safety Approvals	: UR, CSA, EN60939
Typ. Weight, LBS (KG)	: 0.5/0.2

LEAKAGE CURRENT

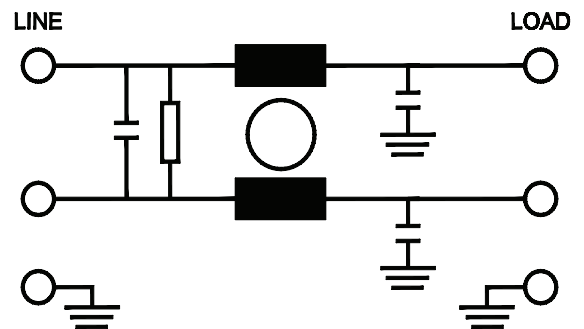
Y-cap, nF	mA, 120V/60Hz	mA, 250V/60Hz
0	0	0
.47	0.04	0.08
2.2	0.2	0.4
3.3	0.3	0.5
4.7	0.4	0.8

PART NUMBER/ ORDERING

RP182CS	-X Amps	-Y (Ycap, nF)	-T
	3	0	-QD
	6	.47	
	10	2.2	
		3.3	
		4.7	

Note: Use any combination of -Y with any -X (Amps) rating
e.g. RP182CS-3-4.7-QD (3 Amps with 4.7nF Ycap)

SCHEMATIC



Reference purposes only.
Specifications are subject to change.
Consult factory to verify specifications.

www.radiuspower.com
www.astrodyne.com

Email: Emifiltercs@astrodyne.com

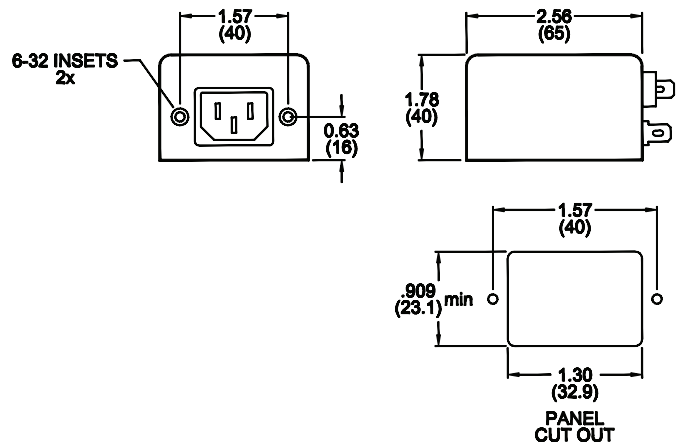
RP182CS Typical Insertion Loss, dB (50/50ohm)

Mechanical Dimensions

3 Amp					
FREQ (MHz)	.15	.5	1.0	10	30
CM(dB)	35	55	60	60	55
DM(dB)	15	60	70	65	65

6 Amp					
FREQ (MHz)	.15	.5	1.0	10	30
CM(dB)	35	55	60	60	55
DM(dB)	30	60	70	60	60

10 Amp					
FREQ (MHz)	.15	.5	1.0	10	30
CM(dB)	35	55	60	60	55
DM(dB)	20	60	70	65	65



TYPICAL TOLERANCE: +/-0.02 (0.50)

Reference purposes only.
Specifications are subject to change.
Consult factory to verify specifications.