



## RP182CD Series

## IEC Inlet Dual Stage Power Line Filter

**RP182CD  
HIGH PERFORMANCE TO 10A  
IEC INLET**

**ROHS COMPLIANT**



### SPECIFICATIONS

Operating Freq.	: 50/60Hz
Max. Operating Voltage	: 250V +10%
Ambient Temperature	: -25 to 40C
Climatic Category	: 25/100/21
Hipot Rating (L-G)	: 2200VDC
Terminals (-T)	: Inlet & QD: 0.25 Tabs
Safety Approvals	: UR, CSA, EN60939
Typ. Weight, LBS (KG)	: 0.5/0.2

### LEAKAGE CURRENT

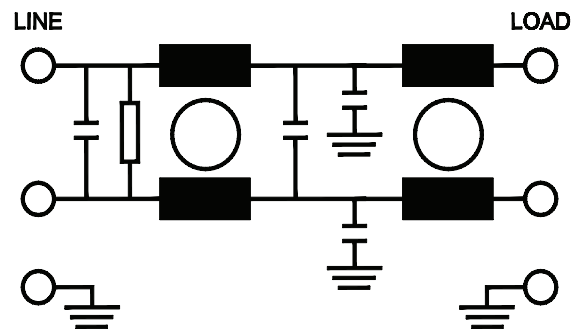
Y-cap, nF	mA, 120V/60Hz	mA, 250V/60Hz
0	0	0
.47	0.04	0.08
2.2	0.2	0.4
3.3	0.3	0.5
4.7	0.4	0.8

### PART NUMBER/ ORDERING

RP182CD	-X Amps	-Y (Ycap, nF)	-T
	3	0	-QD
	6	.47	
	10	2.2	
		3.3	
		4.7	

**Note:** Use any combination of -Y with any -X (Amps) rating  
e.g. RP182CD-3-4.7-QD (3 Amps with 4.7nF Ycap)

### SCHEMATIC



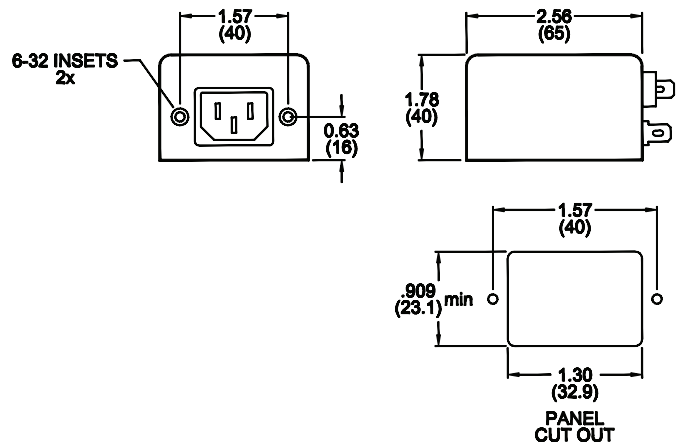
## RP182CD Typical Insertion Loss, dB (50/50ohm)

## Mechanical Dimensions

3 Amp					
FREQ (MHz)	.15	.5	1.0	10	30
CM(dB)	55	60	70	60	35
DM(dB)	30	70	56	56	60

6 Amp					
FREQ (MHz)	.15	.5	1.0	10	30
CM(dB)	48	56	60	55	40
DM(dB)	16	50	60	55	60

10 Amp					
FREQ (MHz)	.15	.5	1.0	10	30
CM(dB)	48	55	62	55	40
DM(dB)	16	50	65	65	68



TYPICAL TOLERANCE: +/-0.02 (0.50)

Reference purposes only.  
Specifications are subject to change.  
Consult factory to verify specifications.

[www.radiuspower.com](http://www.radiuspower.com)  
[www.astrodyne.com](http://www.astrodyne.com)

Email: [Emifiltercs@astrodyne.com](mailto:Emifiltercs@astrodyne.com)