

RP130 Series

High Performance Single Stage Power Line Filter

RP130 HIGH PERFORMANCE TO 40A CHASSIS MOUNT FILTER

ROHS COMPLIANT



SPECIFICATIONS

Operating Freq.	: 50/60Hz
Usable Freq.	: DC - 400Hz
Max. Operating Voltage	: 300V +10%
Ambient Temperature	: -25 to 40C
Climatic Category	: 25/100/21
Hipot Rating (L-G)	: 2700VDC
Terminals (-T)	: QD: 0.25 Tab (3-20A) S: 30/40A (M5)
Safety Approvals	: cURus, EN60939

LEAKAGE CURRENT

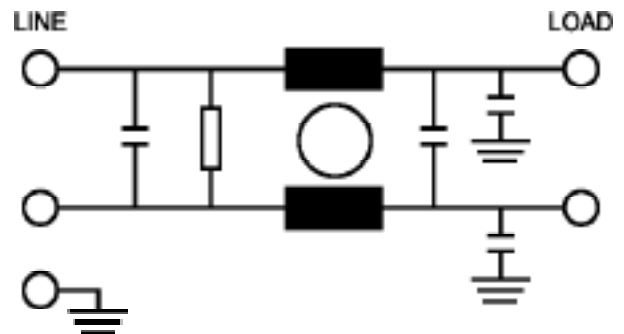
Y-cap, nF	mA, 120V/60Hz	mA, 250V/60Hz
0	0	0
.47	0.04	0.08
1	0.09	0.18
2.2	0.2	0.4
4.7	0.4	0.8
10	0.9	1.8
22	2	4
100	9	18

PART NUMBER/ ORDERING

RP130	-X (Amps)	-Y (Ycap, nF)	-T	Weight LBS (KG) Typ.
	3	0	QD	0.3 (0.1)
	6	.47		0.3 (0.1)
	10	1		0.8 (0.4)
	20	2.2		0.8 (0.4)
	30	4.7	S	1.6 (0.7)
	40	10		1.6 (0.7)
		22		
		100		

Note: Use any combination of -Y with any -X (Amps) rating
e.g. RP130-10-0-QD (10 Amps with no Ycap)

SCHEMATIC



RP130

Typical Insertion Loss, dB (50/50ohm)

Mechanical Dimensions

3 Amp					
FREQ (MHz)	.15	.5	1.0	10	30
CM(dB)	48	50	50	52	45
DM(dB)	62	80	80	65	70

6 Amp					
FREQ (MHz)	.15	.5	1.0	10	30
CM(dB)	44	50	52	50	46
DM(dB)	52	70	70	65	65

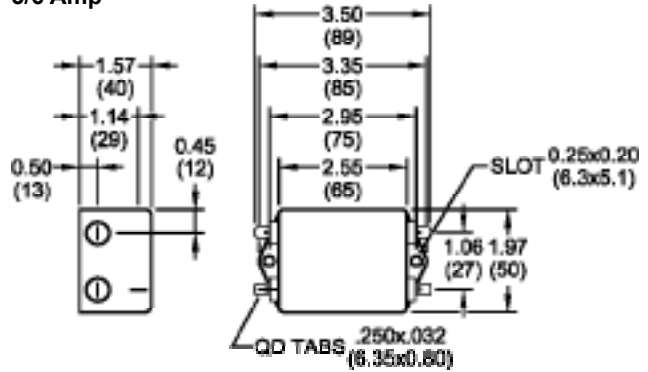
10 Amp					
FREQ (MHz)	.15	.5	1.0	10	30
CM(dB)	38	48	44	45	46
DM(dB)	54	70	70	57	60

20 Amp					
FREQ (MHz)	.15	.5	1.0	10	30
CM(dB)	32	40	40	40	52
DM(dB)	52	70	70	70	60

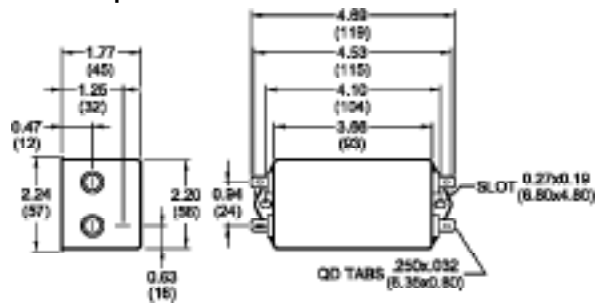
30 Amp					
FREQ (MHz)	.15	.5	1.0	10	30
CM(dB)	16	28	32	52	40
DM(dB)	13	60	60	45	45

40 Amp					
FREQ (MHz)	.15	.5	1.0	10	30
CM(dB)	23	42	44	50	32
DM(dB)	30	65	65	58	50

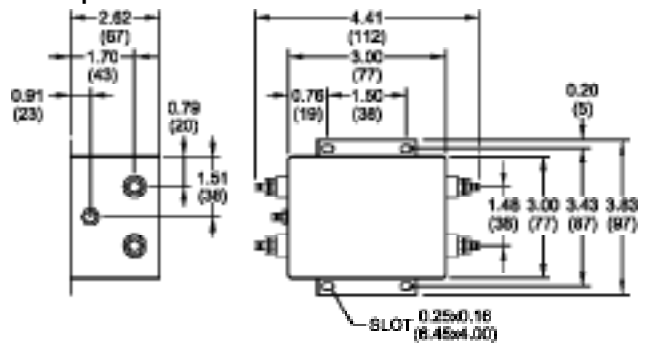
3/6 Amp



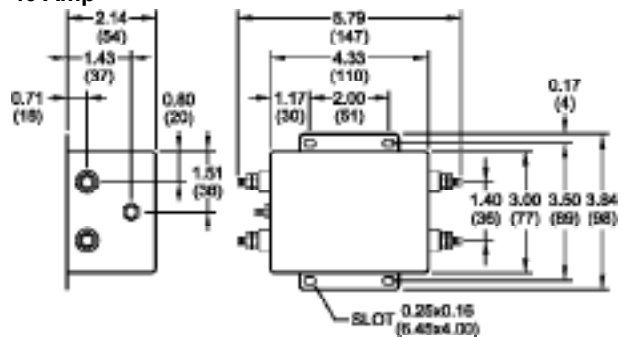
10/20 Amp



30 Amp



40 Amp



TYPICAL TOLERANCE: +/-0.02 (0.50)

Reference purposes only.
Specifications are subject to change.
Consult factory to verify specifications.

www.radiuspower.com
www.astrodyne.com

Email: Emifiltercs@astrodyne.com