

RP125 Series

High Performance Single Stage Power Line Filter

RP125 HIGH PERFORMANCE TO 80A CHASSIS MOUNT FILTER

ROHS COMPLIANT



SPECIFICATIONS

Operating Freq.	: 50/60Hz
Usable Freq.	: DC - 400Hz
Max. Operating Voltage	: 300V +10%
Ambient Temperature	: -25 to 40C
Climatic Category	: 25/100/21
Hipot Rating (L-G)	: 2700VDC
Terminals (-T)	: S: 30/35A (M4) 45A (M5) 60/80A (M6)
Safety Approvals	: cURus, EN60939

LEAKAGE CURRENT

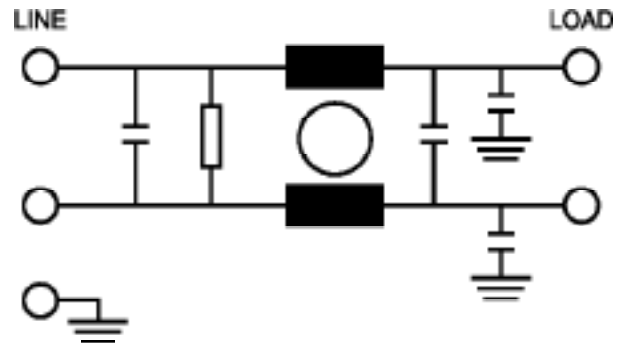
Y-cap, nF	mA, 120V/60Hz	mA, 250V/60Hz
0	0	0
.47	0.04	0.08
1	0.09	0.18
2.2	0.2	0.4
4.7	0.4	0.8
10	0.9	1.8
22	2	4
100	9	18

PART NUMBER/ ORDERING

RP125	-X (Amps)	-Y (Ycap, nF)	-T	Weight LBS (KG) Typ.
	30	0	S	0.9 (0.4)
	35	.47		0.7 (0.3)
	45	1		2.0 (0.9)
	60	2.2		3.0 (1.4)
	80	4.7		5.5 (2.5)
		10		
		22		
		100		

Note: Use any combination of -Y with any -X (Amps) rating
e.g. RP125-45-100-S (45 Amps with 100nF Ycap)

SCHEMATIC

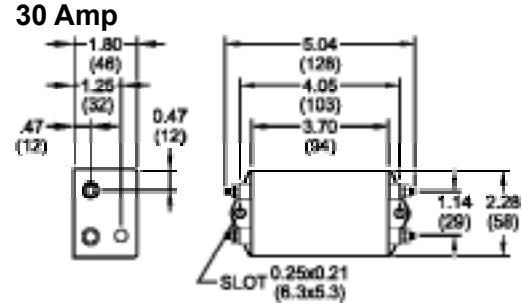


RP125

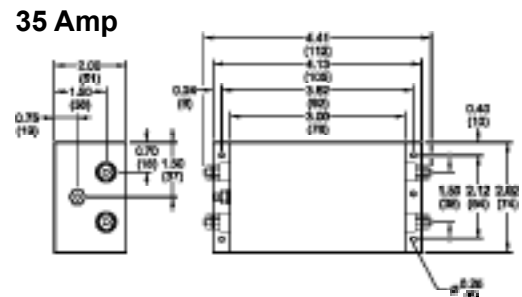
Typical Insertion Loss, dB (50/50ohm)

Mechanical Dimensions

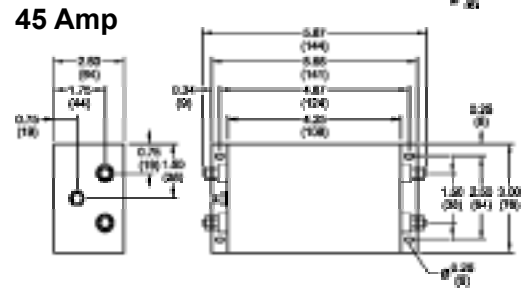
30 Amp					
FREQ (MHz)	.15	.5	1.0	10	30
CM(dB)	16	26	32	45	50
DM(dB)	34	65	65	70	70



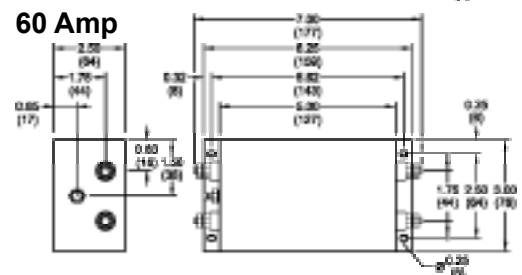
35 Amp					
FREQ (MHz)	.15	.5	1.0	10	30
CM(dB)	18	28	32	45	50
DM(dB)	36	65	65	70	70



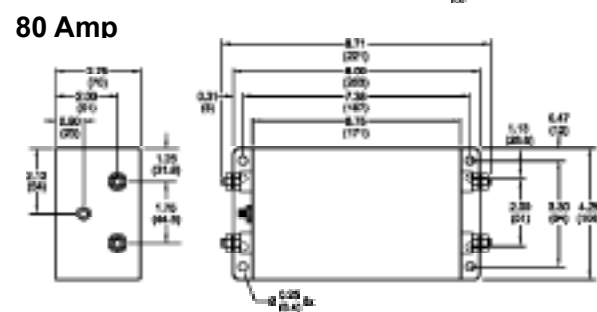
45 Amp					
FREQ (MHz)	.15	.5	1.0	10	30
CM(dB)	16	26	32	45	60
DM(dB)	34	65	65	70	70



60 Amp					
FREQ (MHz)	.15	.5	1.0	10	30
CM(dB)	16	26	32	45	50
DM(dB)	40	70	70	70	70



80 Amp					
FREQ (MHz)	.15	.5	1.0	10	30
CM(dB)	16	26	32	45	50
DM(dB)	40	70	70	70	70



TYPICAL TOLERANCE: +/-0.02 (0.50)

www.radiuspower.com
www.astrodyne.com

Reference purposes only.
 Specifications are subject to change.
 Consult factory to verify specifications.