



**RP110 Series - Medical Grade**

**Compact Single Stage Power Line Filter**

**RP110  
MEDICAL GRADE TO 30A  
CHASSIS MOUNT FILTER**

**ROHS COMPLIANT**



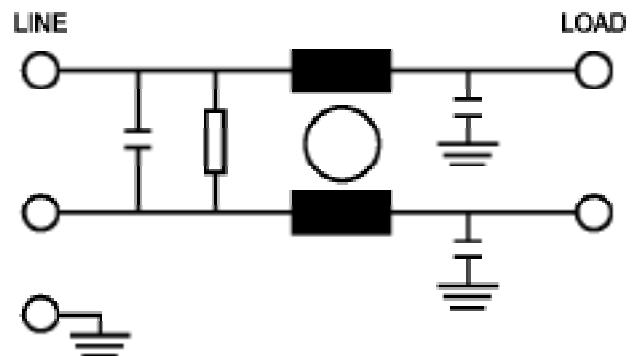
SPECIFICATIONS	
Operating Freq.	: 50/60Hz
Usable Freq.	: DC - 400Hz
Max. Operating Voltage	: 250V +10%
Ambient Temperature	: -25 to 40C
Climatic Category	: 25/100/21
Hipot Rating (L-G)	: 2700VDC
Terminals (-T)	: QD: 0.25 Tabs S: 30A (M4)
Safety Approvals	: cURus, EN60939
Typ. Weight, LBS (KG)	0.4 (0.2)

LEAKAGE CURRENT		
Y-cap, nF	mA, 120V/60Hz	mA, 250V/60Hz
0	0	0
.22	0.02	0.04
.47	0.04	0.08
1	0.09	0.18

PART NUMBER/ ORDERING			
RP110	-X (Amps)	-Y (Ycap, nF)	-T
	3	0	QD
	6	.22	S
	10	.47	
	20	1	
	30		

**Note:** Use any combination of -Y with any -X (Amps) rating  
e.g. RP110-3-1-QD (3 Amps with 1nF Ycap)

**SCHEMATIC**



Reference purposes only.  
Specifications are subject to change.  
Consult factory to verify specifications.

## RP110

### Typical Insertion Loss, dB (50/50ohm)

### Mechanical Dimensions

#### 3 Amp

FREQ (MHz)	.15	.5	1.0	10	30
CM(dB)	36	38	40	40	40
DM(dB)	30	48	60	55	55

#### 6 Amp

FREQ (MHz)	.15	.5	1.0	10	30
CM(dB)	28	30	40	40	40
DM(dB)	28	40	50	70	60

#### 10 Amp

FREQ (MHz)	.15	.5	1.0	10	30
CM(dB)	16	28	44	44	34
DM(dB)	28	40	54	70	66

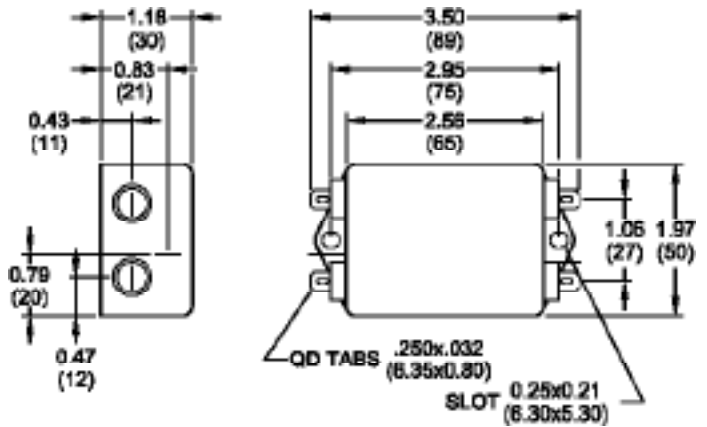
#### 20 Amp

FREQ (MHz)	.15	.5	1.0	10	30
CM(dB)	5	14	30	54	54
DM(dB)	28	38	50	54	70

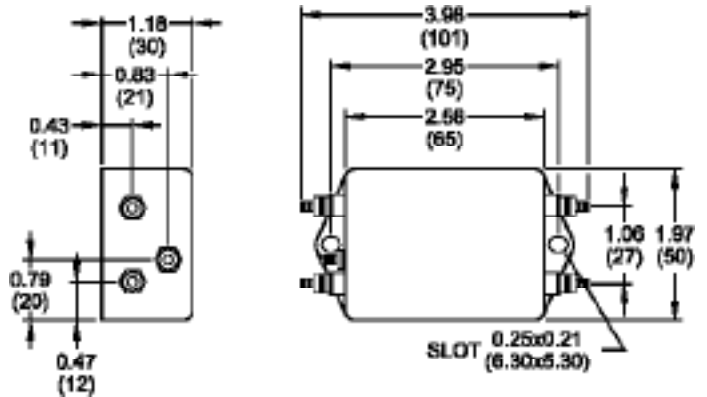
#### 30 Amp

FREQ (MHz)	.15	.5	1.0	10	30
CM(dB)	5	12	30	52	50
DM(dB)	20	32	50	55	60

#### 3/6/10/20A



#### 30A



TYPICAL TOLERANCE: +/-0.02 (0.50)

Reference purposes only.  
Specifications are subject to change.  
Consult factory to verify specifications.

[www.radiuspower.com](http://www.radiuspower.com)  
[www.astrodyne.com](http://www.astrodyne.com)

Email: [Emifiltercs@astrodyne.com](mailto:Emifiltercs@astrodyne.com)