

RP110 Series

Compact Single Stage Power Line Filter

RP110 COMPACT TO 30A CHASSIS MOUNT FILTER

ROHS COMPLIANT



SPECIFICATIONS

Operating Freq.	: 50/60Hz
Usable Freq.	: DC - 400Hz
Max. Operating Voltage	: 300V +10%
Ambient Temperature	: -25 to 40C
Climatic Category	: 25/100/21
Hipot Rating (L-G)	: 2700VDC
Terminals (-T)	: QD: 0.25 Tabs S: 30A (M4)
Safety Approvals	: cURus, EN60939
Typ. Weight, LBS (KG)	: 0.4 (0.2)

LEAKAGE CURRENT

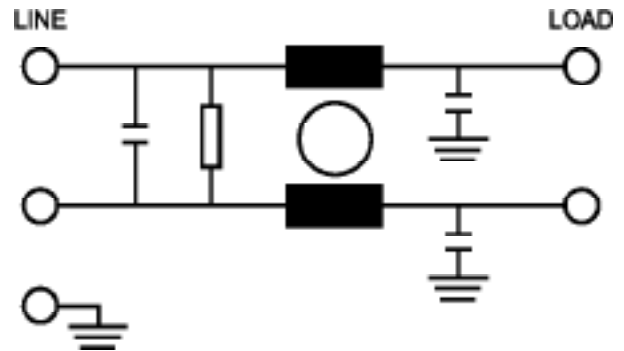
Y-cap, nF	mA, 120V/60Hz	mA, 250V/60Hz
0	0	0
.47	0.04	0.08
1	0.09	0.18
2.2	0.2	0.4
4.7	0.4	0.8
10	0.9	1.8

PART NUMBER/ ORDERING

RP110	-X (Amps)	-Y (Ycap, nF)	-T
	3	0	QD
	6	.47	
	10	1	
	20	2.2	S
	30	4.7	
		10	

Note: Use any combination of -Y with any -X (Amps) rating
e.g. RP110-3-2.2-QD (3 Amps with 2.2nF Ycap)

SCHEMATIC



RP110

Typical Insertion Loss, dB (50/50ohm)

Mechanical Dimensions

3 Amp					
FREQ (MHz)	.15	.5	1.0	10	30
CM(dB)	48	45	40	40	40
DM(dB)	30	48	60	55	55

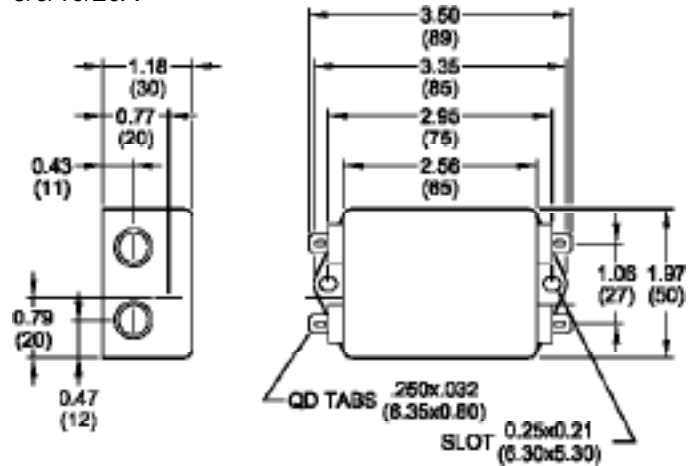
6 Amp					
FREQ (MHz)	.15	.5	1.0	10	30
CM(dB)	40	40	40	40	40
DM(dB)	28	40	50	70	60

10 Amp					
FREQ (MHz)	.15	.5	1.0	10	30
CM(dB)	28	40	44	44	34
DM(dB)	28	40	54	70	66

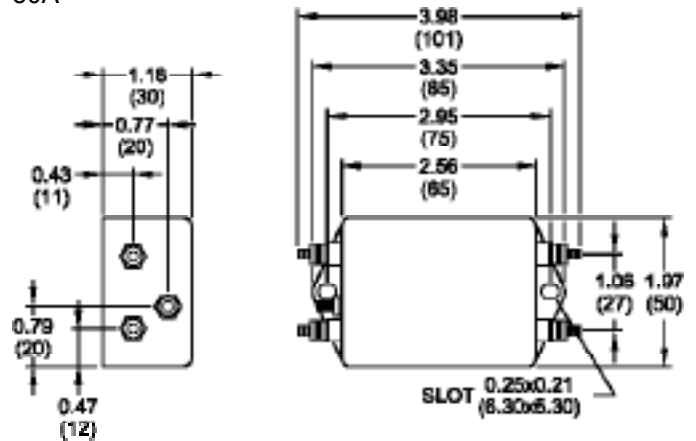
20 Amp					
FREQ (MHz)	.15	.5	1.0	10	30
CM(dB)	15	24	30	54	54
DM(dB)	28	38	50	54	70

30 Amp					
FREQ (MHz)	.15	.5	1.0	10	30
CM(dB)	13	22	30	52	50
DM(dB)	20	32	50	55	60

3/6/10/20A



30A



TYPICAL TOLERANCE: +/-0.02 (0.50)

Reference purposes only.
Specifications are subject to change.
Consult factory to verify specifications.