



RP105 Series - Medical Grade **Compact Single Stage Power Line Filter**

**RP105
MEDICAL GRADE TO 20A
CHASSIS MOUNT FILTER**

ROHS COMPLIANT



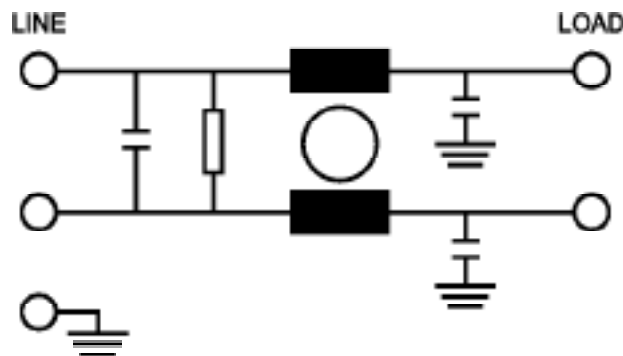
SPECIFICATIONS	
Operating Freq.	: 50/60Hz
Usable Freq.	: DC - 400Hz
Max. Operating Voltage	: 250V +10%
Ambient Temperature	: -25 to 40C
Climatic Category	: 25/100/21
Hipot Rating (L-G)	: 2700VDC
Terminals (-T)	: QD: 0.25 Tabs
Safety Approvals	: cURus, EN60939
Typ. Weight, LBS (KG)	0.3 (0.1)

LEAKAGE CURRENT		
Y-cap, nF	mA, 120V/60Hz	mA, 250V/60Hz
0	0	0
.22	0.02	0.04
.47	0.04	0.08
1	0.09	0.18

PART NUMBER/ ORDERING			
RP105	-X Amps	-Y (Ycap, nF)	-T
	3	0	QD
	6	.22	
	10	.47	
	16	1	
	20		

Note: Use any combination of -Y with any -X (Amps) rating
e.g. RP105-10-.47-QD (10 Amps with .47nF Ycap)

SCHEMATIC



Reference purposes only.
Specifications are subject to change.
Consult factory to verify specifications.

RP105

Typical Insertion Loss, dB (50/50ohm) Mechanical Dimensions

3 Amp

FREQ (MHz)	.15	.5	1.0	10	30
CM(dB)	26	38	50	50	54
DM(dB)	20	36	60	65	55

6 Amp

FREQ (MHz)	.15	.5	1.0	10	30
CM(dB)	22	32	54	50	44
DM(dB)	20	32	46	65	70

10 Amp

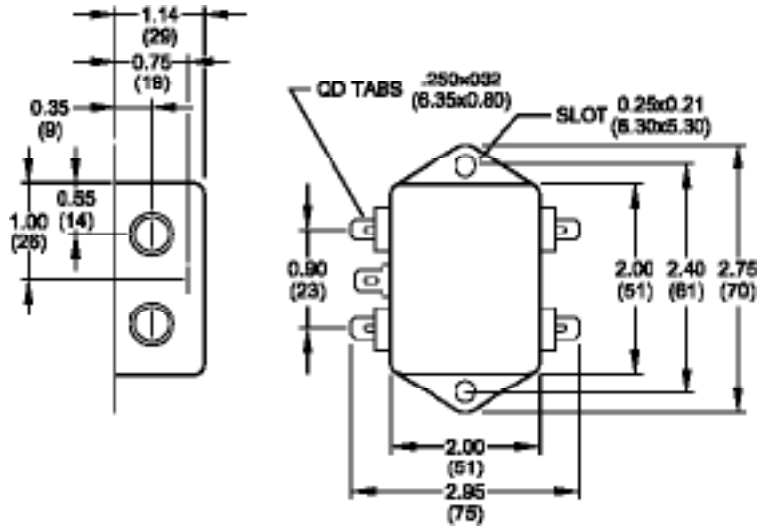
FREQ (MHz)	.15	.5	1.0	10	30
CM(dB)	14	24	44	58	64
DM(dB)	20	32	44	60	70

16 Amp

FREQ (MHz)	.15	.5	1.0	10	30
CM(dB)	8	20	39	55	55
DM(dB)	20	32	40	58	70

20 Amp

FREQ (MHz)	.15	.5	1.0	10	30
CM(dB)	6	12	30	50	58
DM(dB)	20	32	40	54	70



TYPICAL TOLERANCE: +/-0.02 (0.50)

Reference purposes only.
Specifications are subject to change.
Consult factory to verify specifications.