



**RP100 Series - Medical Grade**

**Compact Single Stage Power Line Filter**

**RP100  
MEDICAL GRADE TO 10A  
CHASSIS MOUNT FILTER**

**ROHS COMPLIANT**



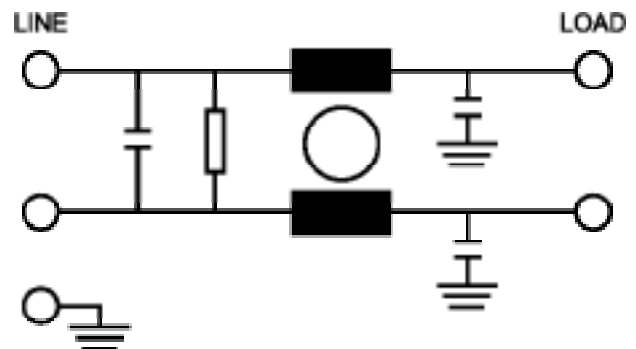
SPECIFICATIONS	
Operating Freq.	: 50/60Hz
Usable Freq.	: DC - 400Hz
Max. Operating Voltage	: 250V +10%
Ambient Temperature	: -25 to 40C
Climatic Category	: 25/100/21
Hipot Rating (L-G)	: 2700VDC
Terminals (-T)	: QD: 0.25 Tabs
Safety Approvals	: cURus, EN60939
Typ. Weight, LBS (KG)	0.3 (0.1)

LEAKAGE CURRENT		
Y-cap, nF	mA, 120V/60Hz	mA, 250V/60Hz
0	0	0
.22	0.02	0.04
.47	0.04	0.08
1	0.09	0.18

PART NUMBER/ ORDERING			
RP100	-X Amps	-Y (Ycap, nF)	-T
	3	0	QD
	6	.22	
	10	.47	
		1	

**Note:** Use any combination of -Y with any -X (Amps) rating  
e.g. RP100-6-1-QD (6 Amps with 1 nF Ycap)

**SCHEMATIC**



Reference purposes only.  
Specifications are subject to change.  
Consult factory to verify specifications.

**RP100**  
**Typical Insertion Loss, dB (50/50ohm)**      **Mechanical Dimensions**

**3 Amp**

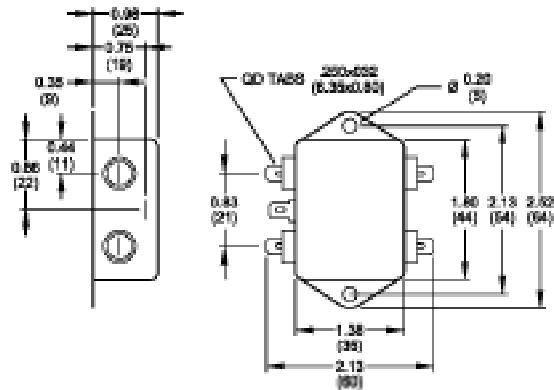
<b>FREQ (MHz)</b>	<b>.15</b>	<b>.5</b>	<b>1.0</b>	<b>10</b>	<b>30</b>
<b>CM(dB)</b>	26	30	45	42	34
<b>DM(dB)</b>	15	24	34	60	60

**6 Amp**

<b>FREQ (MHz)</b>	<b>.15</b>	<b>.5</b>	<b>1.0</b>	<b>10</b>	<b>30</b>
<b>CM(dB)</b>	18	28	45	45	36
<b>DM(dB)</b>	15	22	28	60	70

**10 Amp**

<b>FREQ (MHz)</b>	<b>.15</b>	<b>.5</b>	<b>1.0</b>	<b>10</b>	<b>30</b>
<b>CM(dB)</b>	9	20	34	56	50
<b>DM(dB)</b>	15	22	28	56	60



TYPICAL TOLERANCE: +/-0.02 (0.50)

Reference purposes only.  
 Specifications are subject to change.  
 Consult factory to verify specifications.