

## RP100 Series

## Compact Single Stage Power Line Filter

### RP100 COMPACT TO 10A CHASSIS MOUNT FILTER

ROHS COMPLIANT



#### SPECIFICATIONS

Operating Freq.	: 50/60Hz
Usable Freq.	: DC - 400Hz
Max. Operating Voltage	: 300V +10%
Ambient Temperature	: -25 to 40C
Climatic Category	: 25/100/21
Hipot Rating (L-G)	: 2700VDC
Terminals (-T)	: QD: 0.25 Tabs
Safety Approvals	: cURus, EN60939
Typ. Weight, LBS (KG)	: 0.3 (0.1)

#### LEAKAGE CURRENT

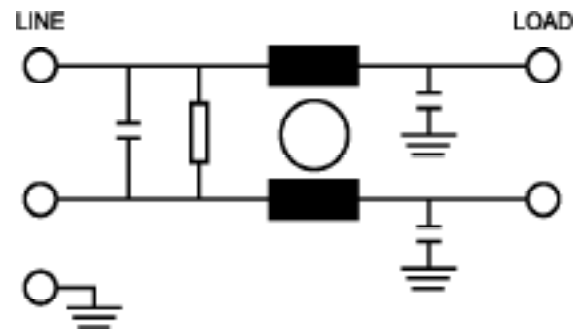
Y-cap, nF	mA, 120V/60Hz	mA, 250V/60Hz
0	0	0
.47	0.04	0.08
1	0.09	0.18
2.2	0.2	0.4
4.7	0.4	0.8
10	0.9	1.8

#### PART NUMBER/ ORDERING

RP100	-X Amps	-Y (Ycap, nF)	-T
	3	0	-QD
	6	.47	
	10	1	
		2.2	
		4.7	
		10	

**Note:** Use any combination of -Y with any -X (Amps) rating  
e.g. RP100-6-2.2-QD (6 Amps with 2.2 nF Ycap)

#### SCHEMATIC



## RP100

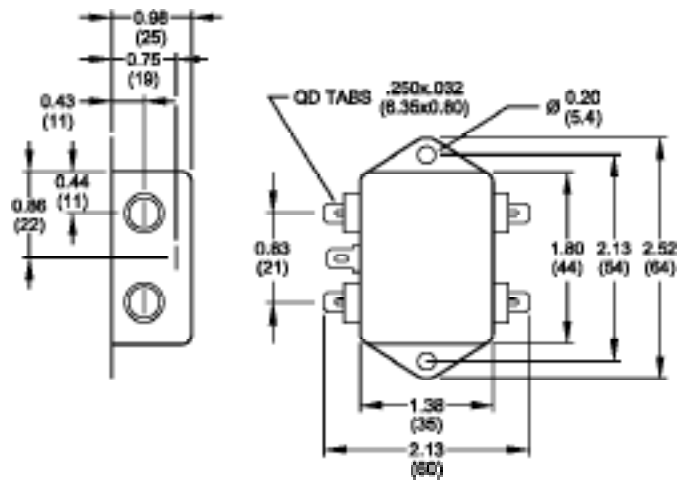
Typical Insertion Loss, dB (50/50ohm)

Mechanical Dimensions

3 Amp					
FREQ (MHz)	.15	.5	1.0	10	30
CM(dB)	38	42	45	42	34
DM(dB)	15	24	34	60	60

6 Amp					
FREQ (MHz)	.15	.5	1.0	10	30
CM(dB)	30	40	45	45	36
DM(dB)	15	22	28	60	70

10 Amp					
FREQ (MHz)	.15	.5	1.0	10	30
CM(dB)	20	30	34	56	50
DM(dB)	15	22	28	56	60



TYPICAL TOLERANCE: +/-0.02 (0.50)

Reference purposes only.  
Specifications are subject to change.  
Consult factory to verify specifications.